



ALLIED MAKER

MADE IN NEW YORK

Trimless Stem Mount

Drywall Mounting Surface
Installation Guide

212-334-7333

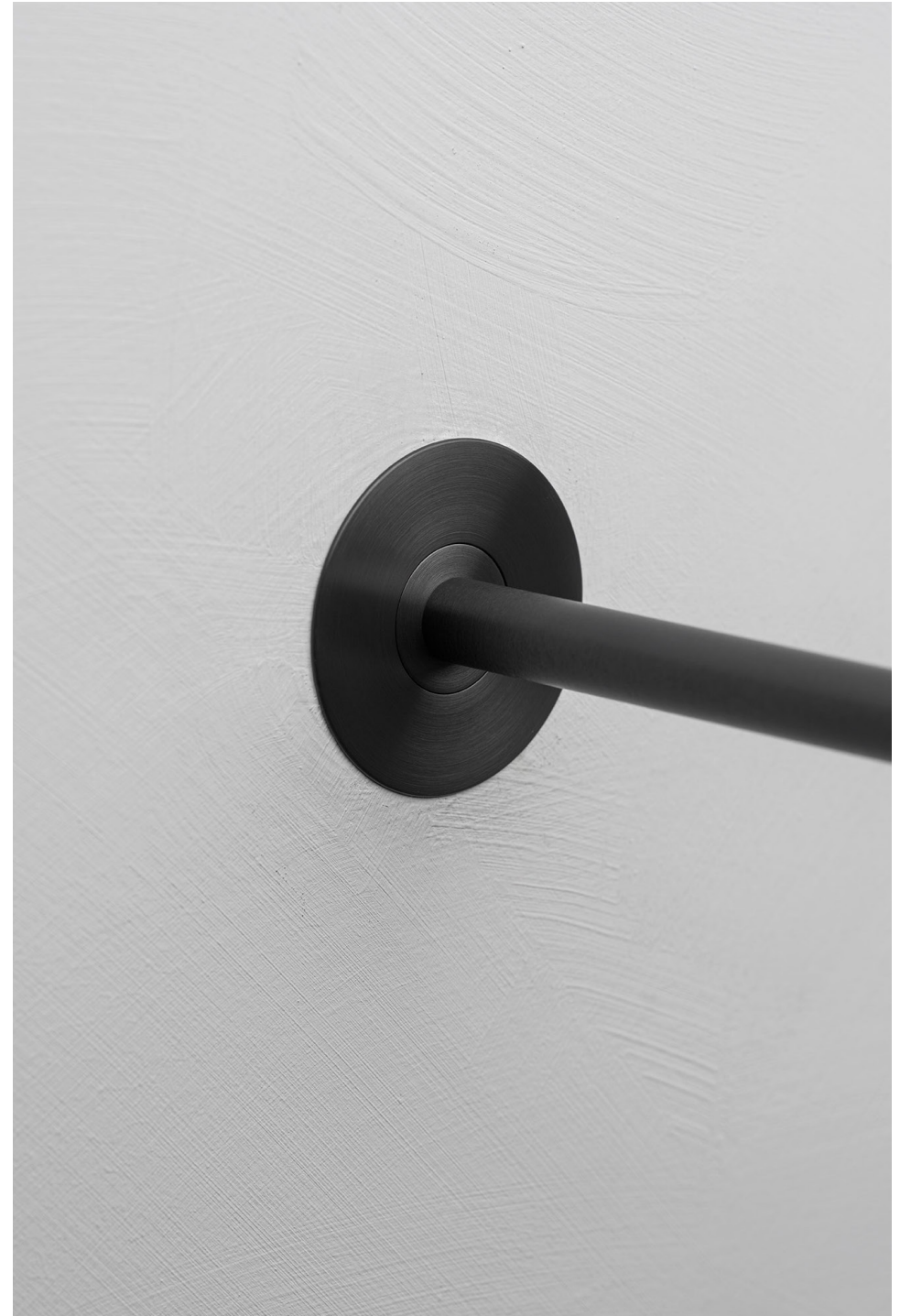
help@alliedmaker.com

LIVING FINISHES

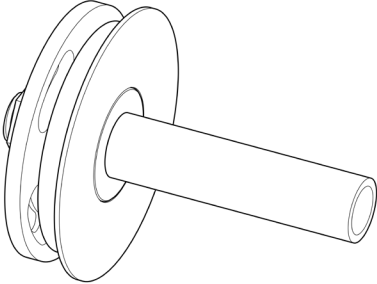
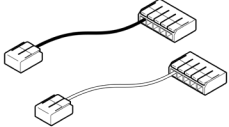
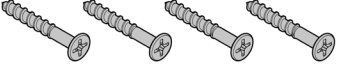
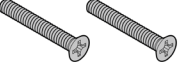


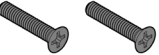
Wear Gloves!



THIS PRODUCT MUST BE INSTALLED IN ACCORDANCE WITH THE APPLICABLE
INSTALLATION CODE BY A PERSON FAMILIAR WITH THE CONSTRUCTION AND
OPERATION OF THE PRODUCT AND HAZARDS INVOLVED



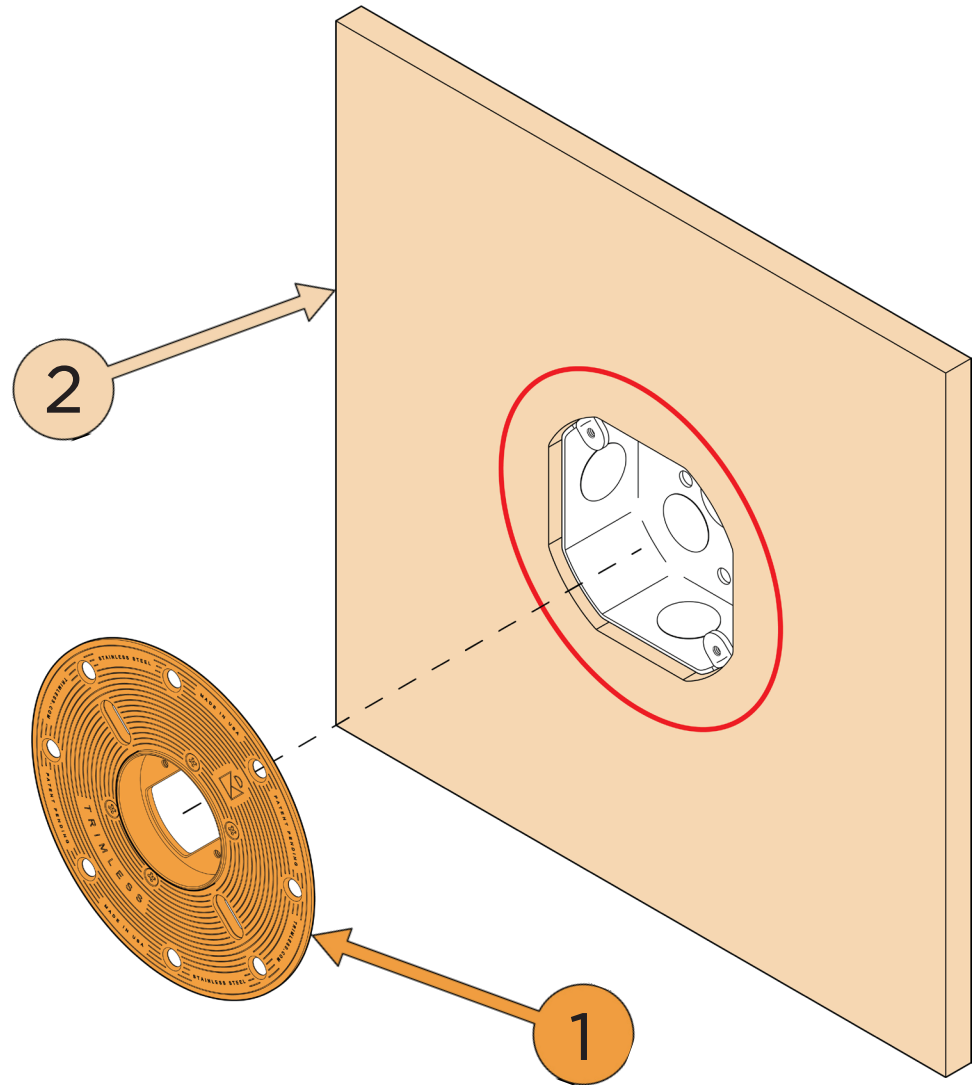
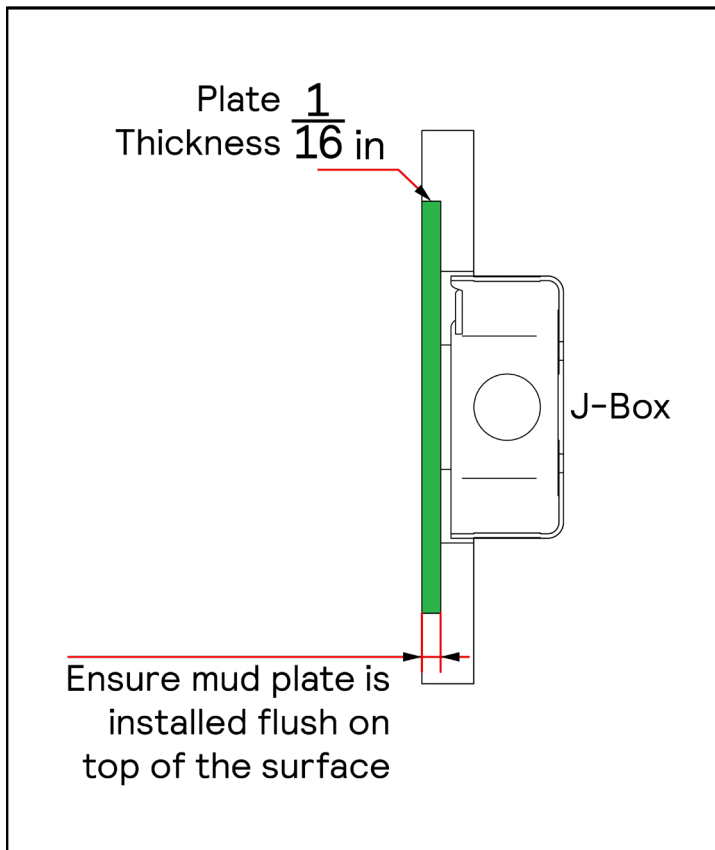
Contents Included

 <p>Lighting Fixture</p>	 <p>2x Wago Clip Wire Lead</p>	 <p>4x Stainless Steel Drywall Screw</p>	 <p>2x 6-32 Screw</p>
	 <p>Mud Plate</p>	 <p>Plug</p>	 <p>2x 8-32 Screw</p>

1

Using the mud plate ①
draw a circle on the drywall ②

Cut out and remove about 1/16”
in depth of the inner area to fit the
mud plate ① flush onto the drywall ②



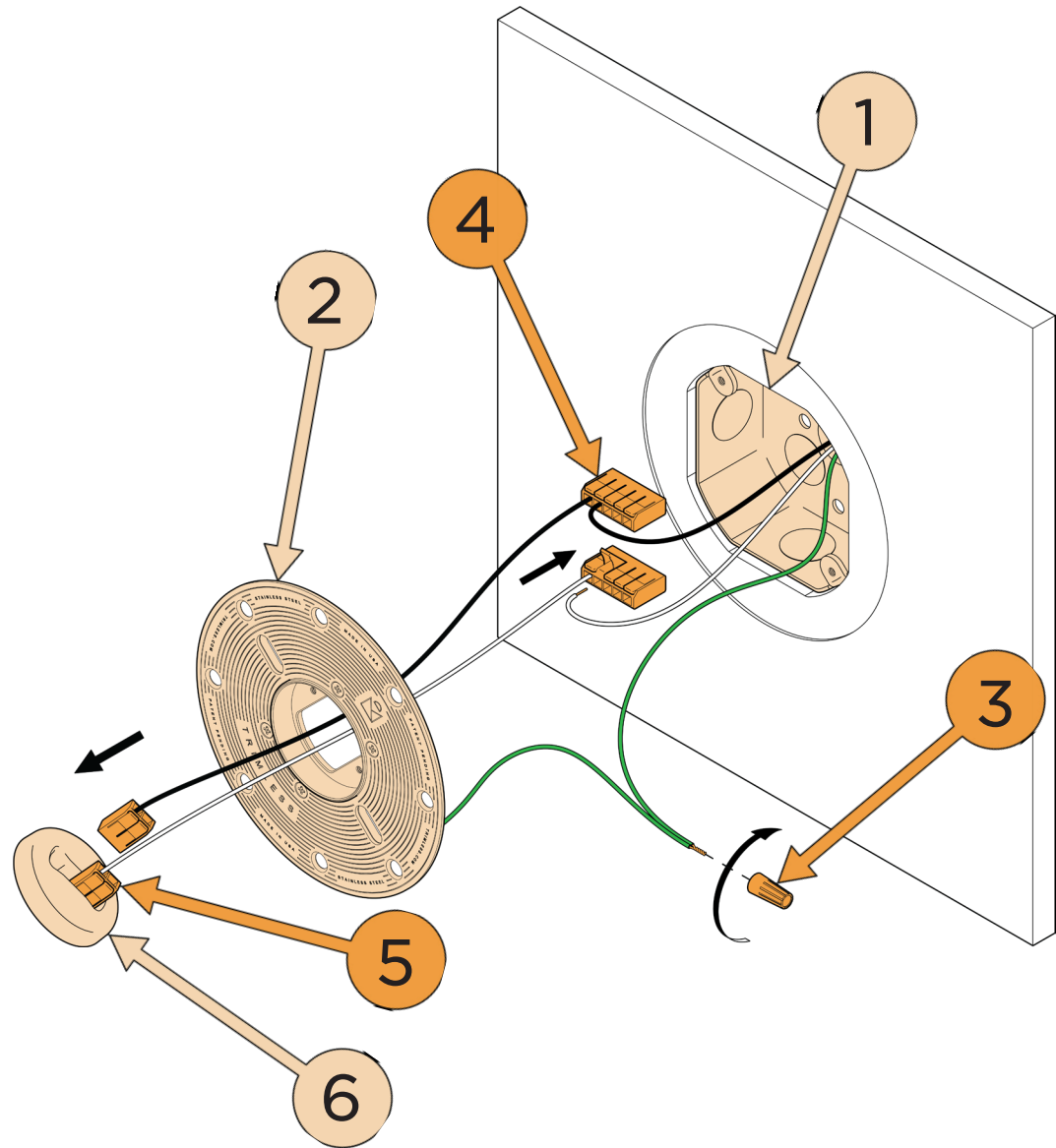
2

Connect the ground wire from the junction box ① with the ground wire from the mud plate ② using a wire nut ③

Connect the wires from the junction box ① to the five port wago clips ④

Travel the two port wago clip ⑤ wire leads through the mud plate ② and insert into the plug ⑥

Insert the plug ⑥ into the mud plate ②

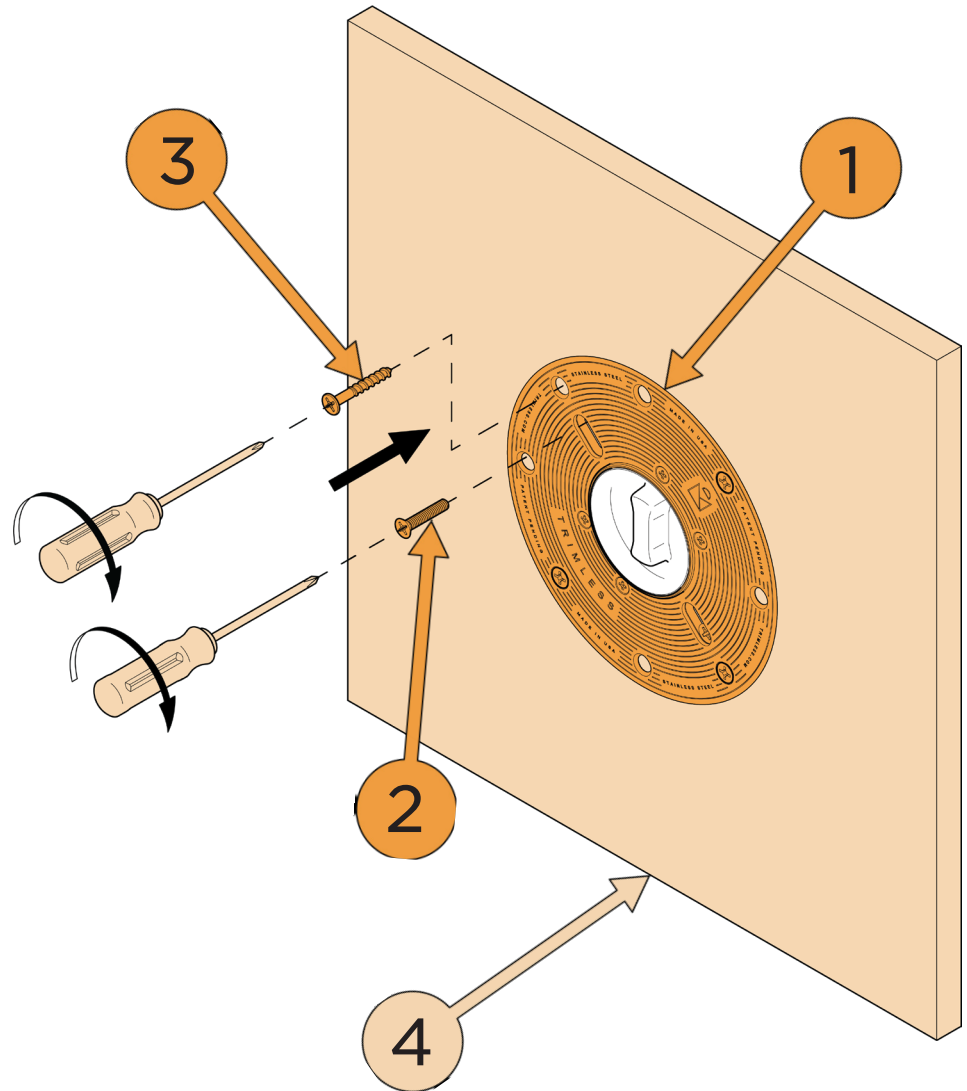
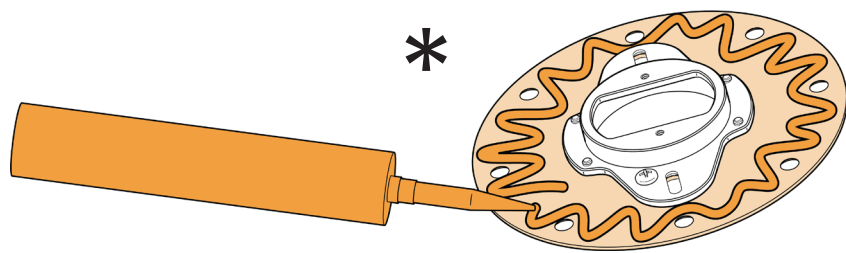


3

Mount the mud plate ① onto the junction box using the provided 8-32 screws ②

Fasten the stainless steel drywall screws* ③ through the perimeter holes of the mud plate ① and onto the drywall ④

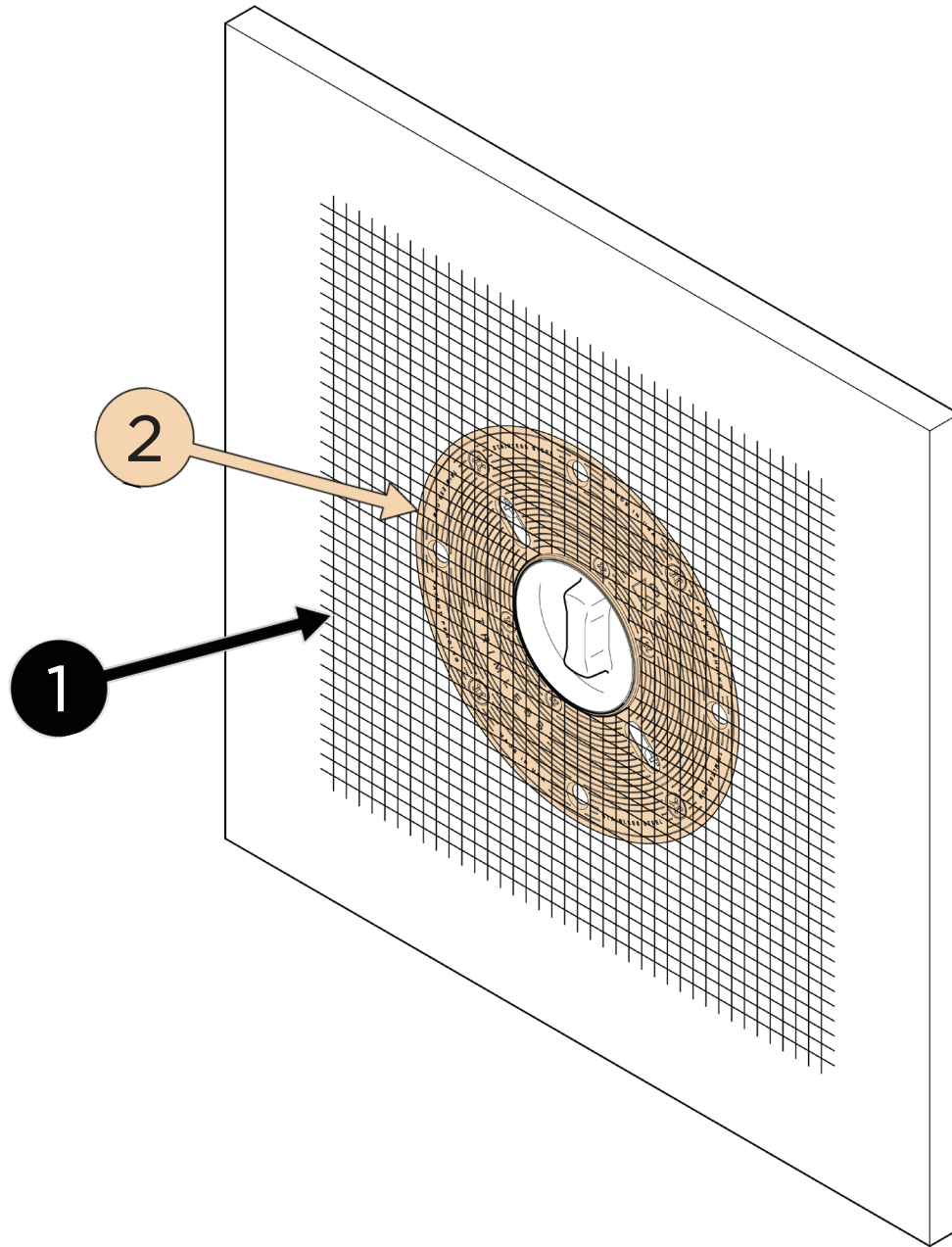
*Use only the provided stainless steel drywall screws. Using a different screw might lead to the screws rusting under the joint compound. A common black phosphorus coated drywall screw is not sufficient to prevent rust.



*Apply construction adhesive to the back of the mud plate before installing onto the drywall.

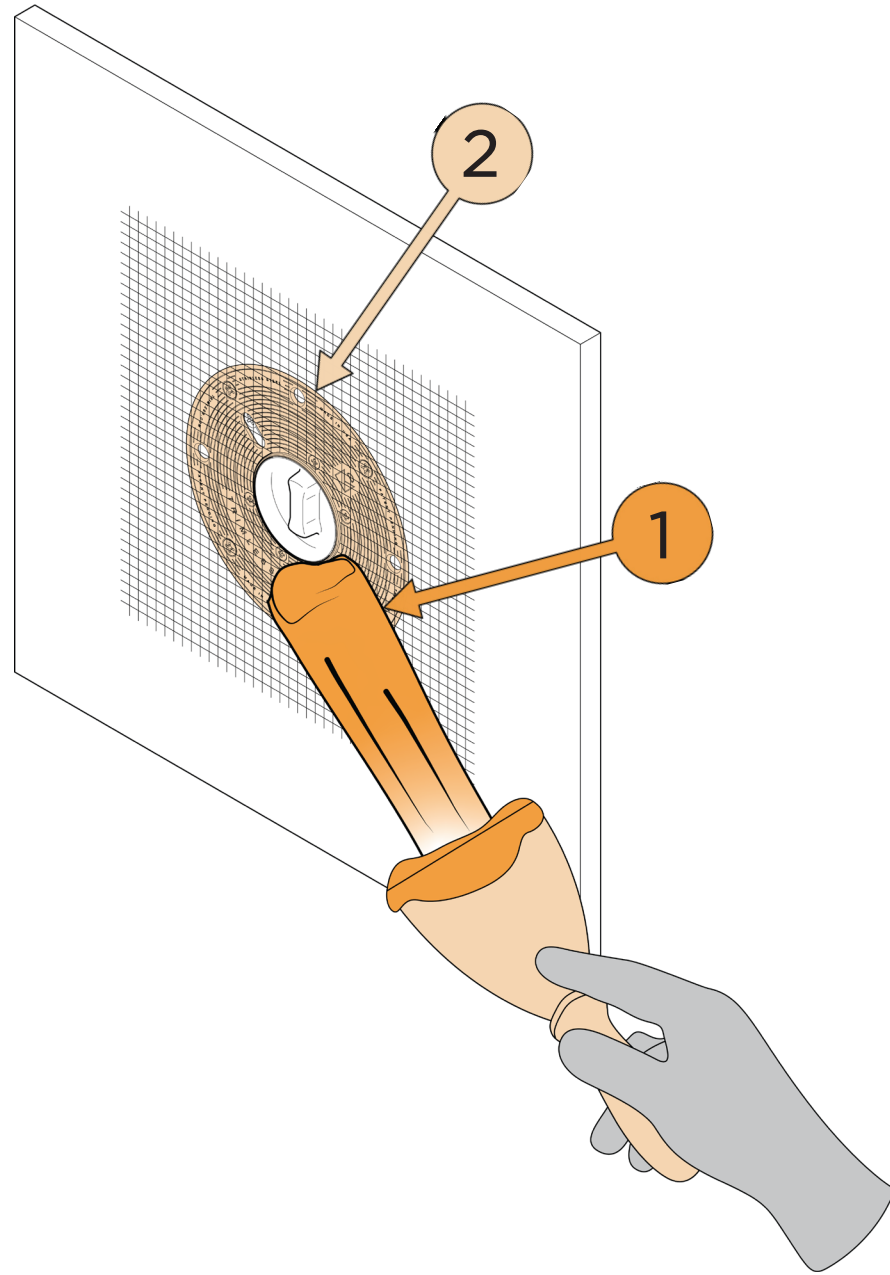
4

Cut out a centerhole on a fiberglass mesh drywall tape **1** and apply over the mud plate **2**



5

Spread joint compound ① outward from the inner mud plate ② rim in straight lines over the mud plate ② to a length of about 1 ft to 1.5 ft.

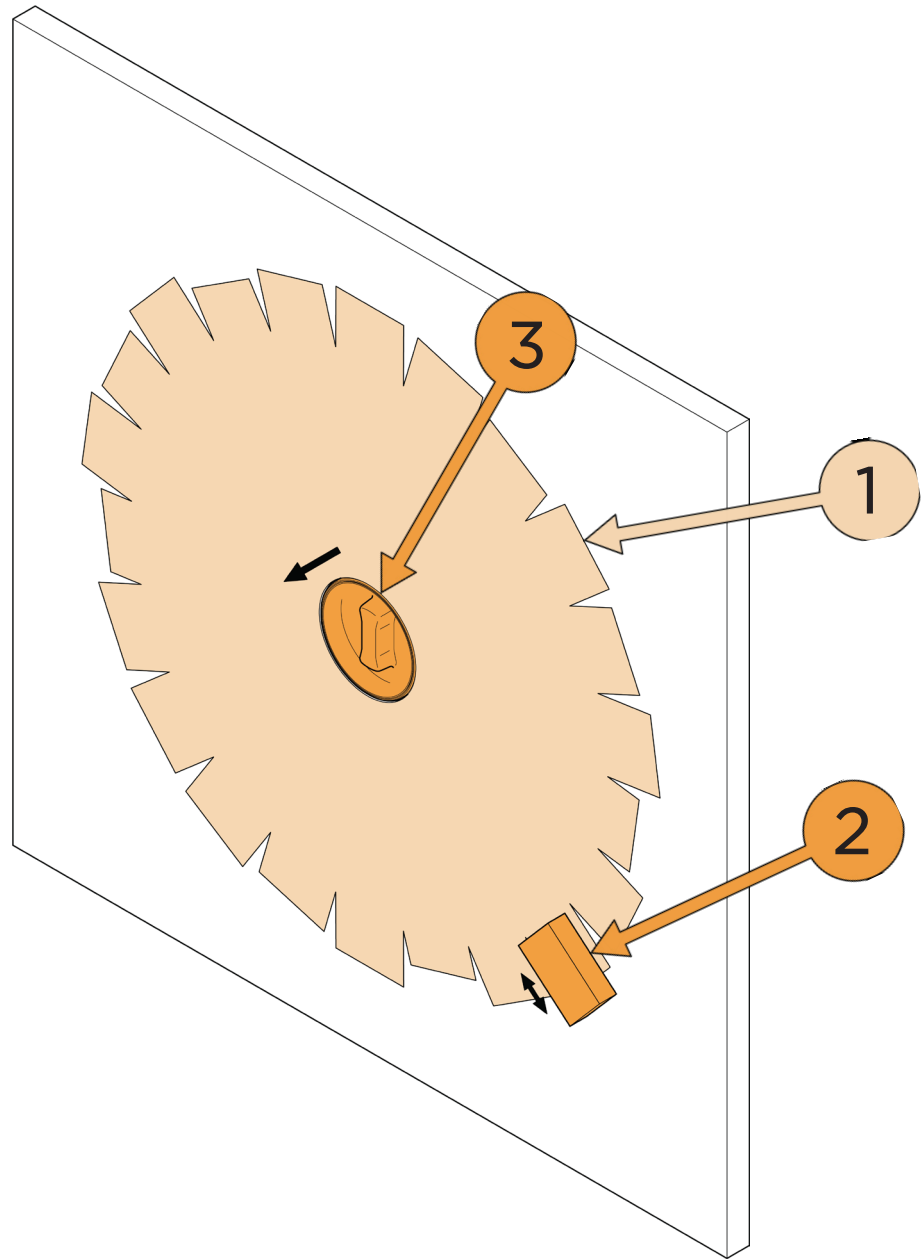


6

Smooth out the joint compound surface ①
using a sanding sponge ②
to blend it with the wall.

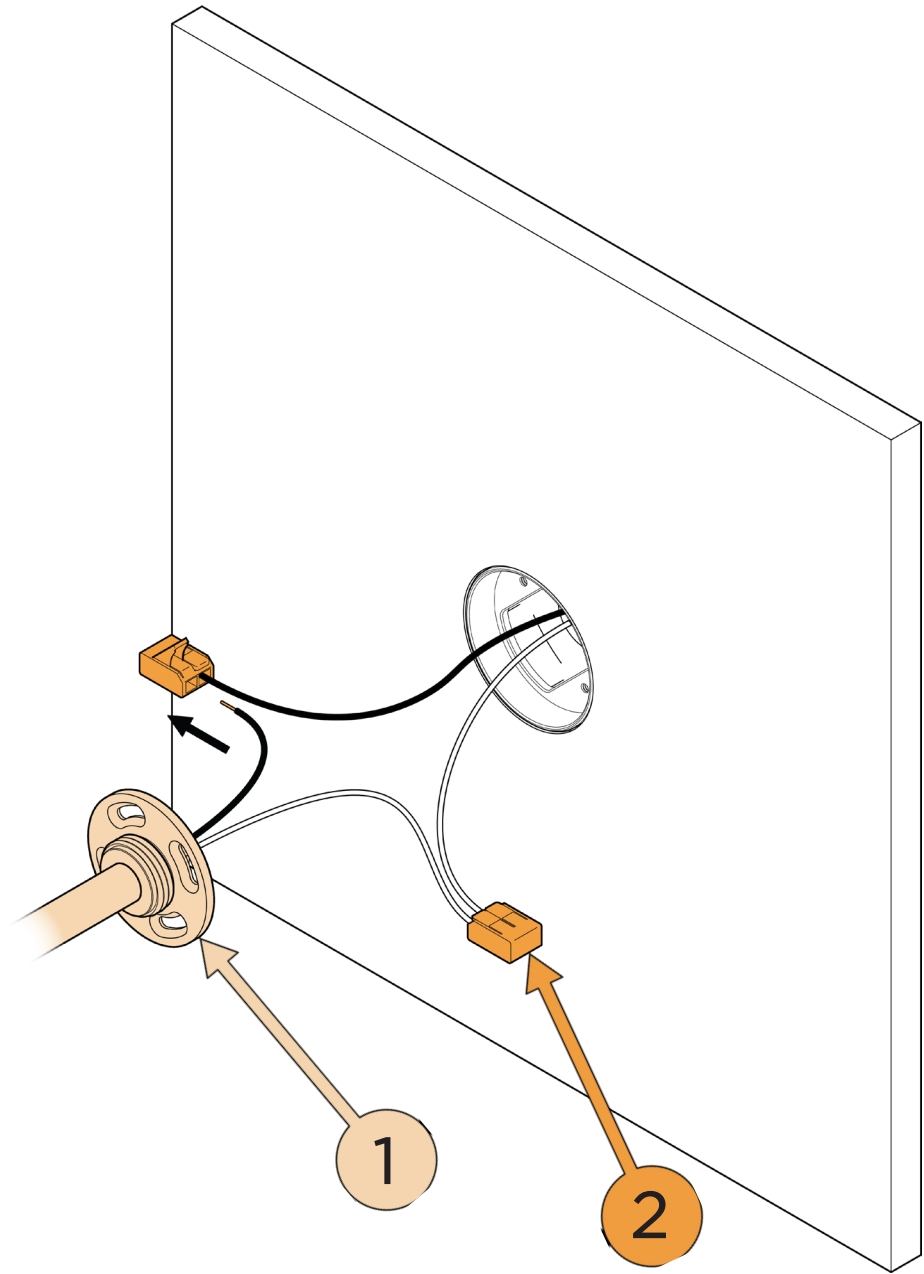
Remove the plug ③

Once satisfied with the joint compound
spread, apply the desired finish.



7

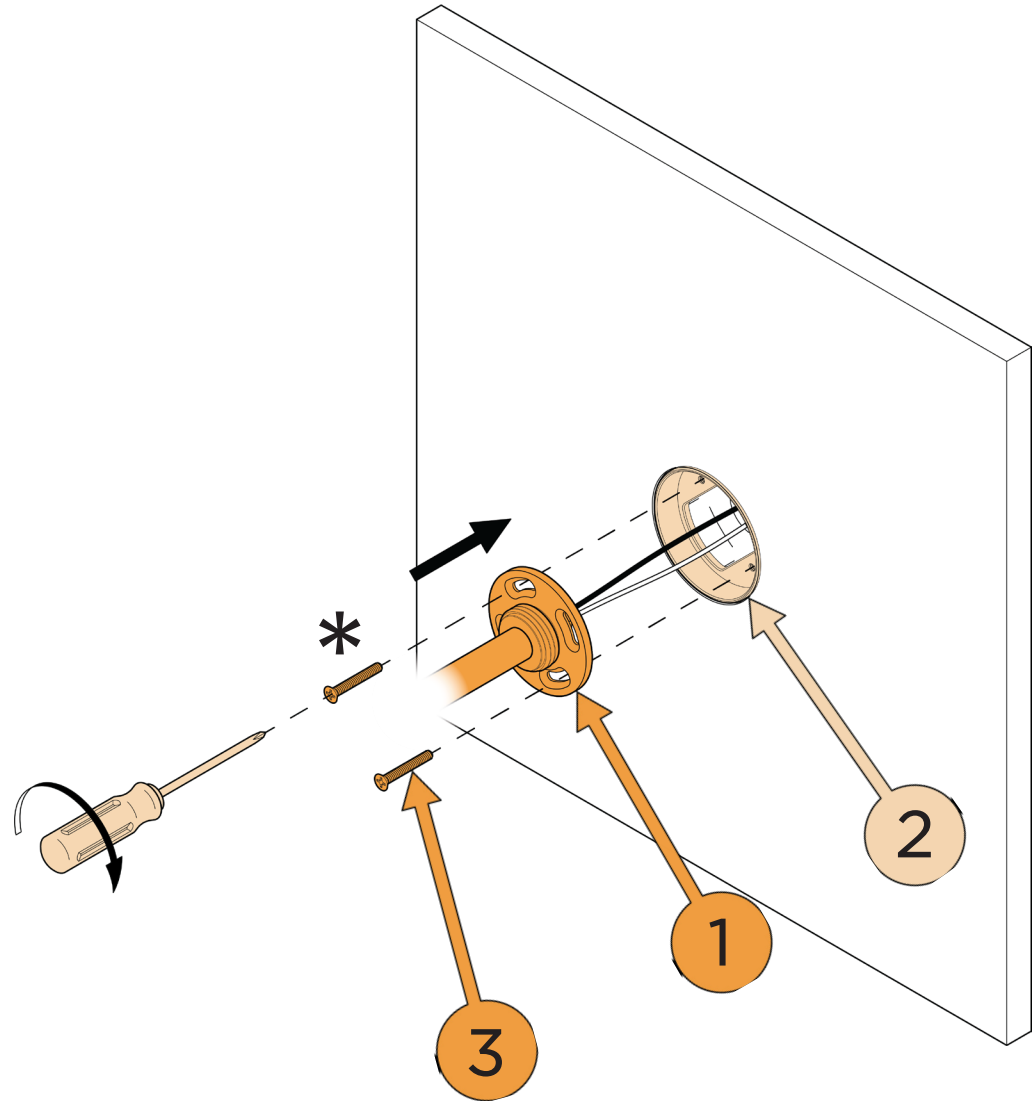
Connect the wires from the adapter ① to the two port wago clip ② wire leads.



8

Mount the adapter ①
onto the mud plate ②
using the provided 6-32 screws ③

*Do not overtighten the 6-32 screws.
Overtightening can lead to potential
damage to the wall.



9

Screw the cover plate ①
onto the adapter ②

