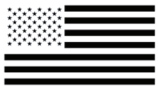




## Arc Globe 14" & 16"

INSTALLATION GUIDE



HANDMADE  
IN U.S.A.



WEAR GLOVES  
DURING INSTALL

**FRAGILE FINISHES**

**DANGER:** ELECTRIC SHOCK RISK. TURN OFF ELECTRICAL POWER BEFORE BEGINNING INSTALLATION AND USE CAUTION WHEN INSTALLING.

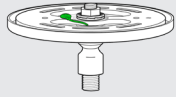


+1 212 334 7333

[www.alliedmaker.com](http://www.alliedmaker.com) • [sales@alliedmaker.com](mailto:sales@alliedmaker.com)



1



Canopy Assembly



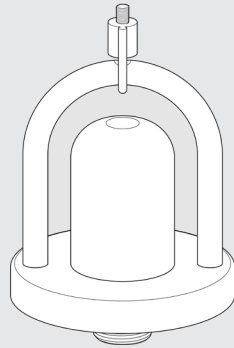
2x Machine Screw



Light Bulb



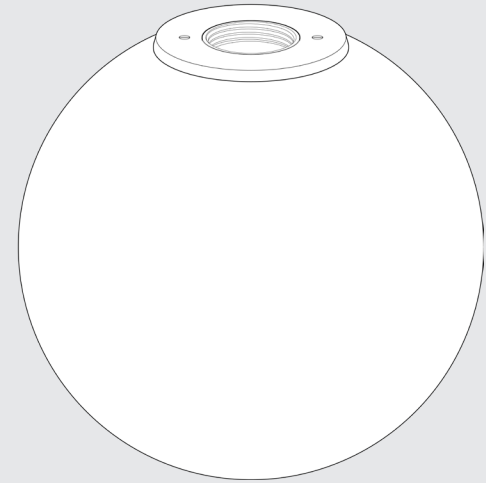
Inspect Contents



Fixture



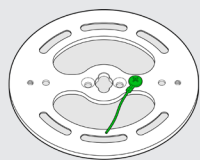
Hang Rod



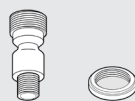
Glass



Terminology



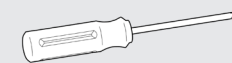
Universal Backplate



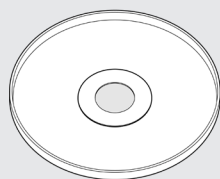
Hang Straight  
&  
Knurled Ring



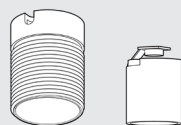
Arc Loop



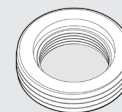
Phillips Screwdriver  
(Not Included)



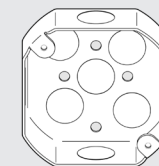
Canopy



Socket Cover  
&  
Fixture Socket



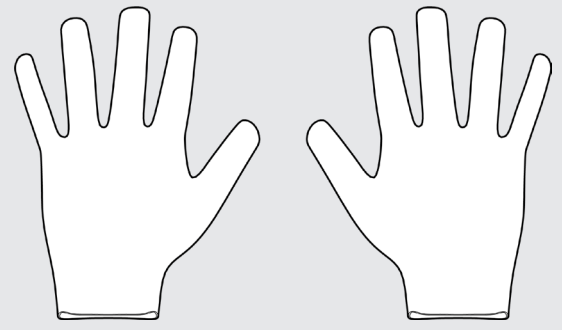
Adapter



Junction Box  
(Not Included)

3

—  
Preparation

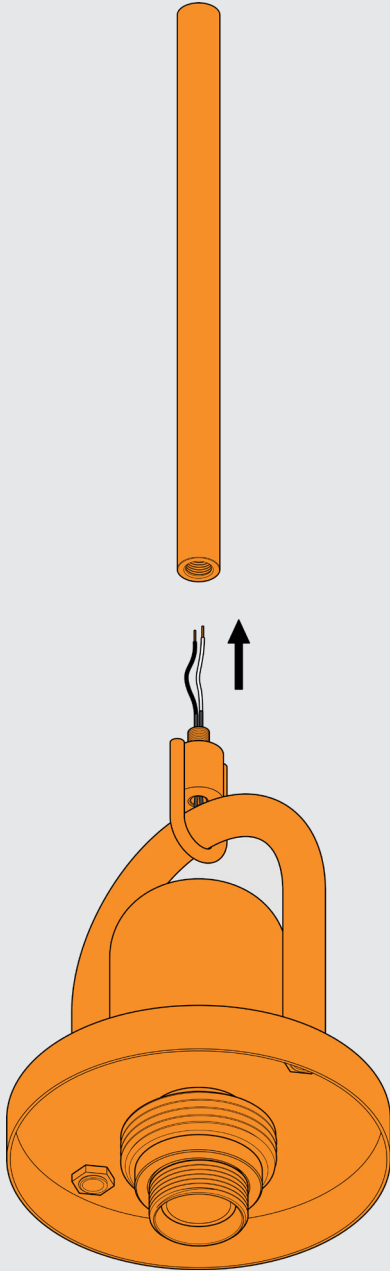


Nitrile Gloves

4

---

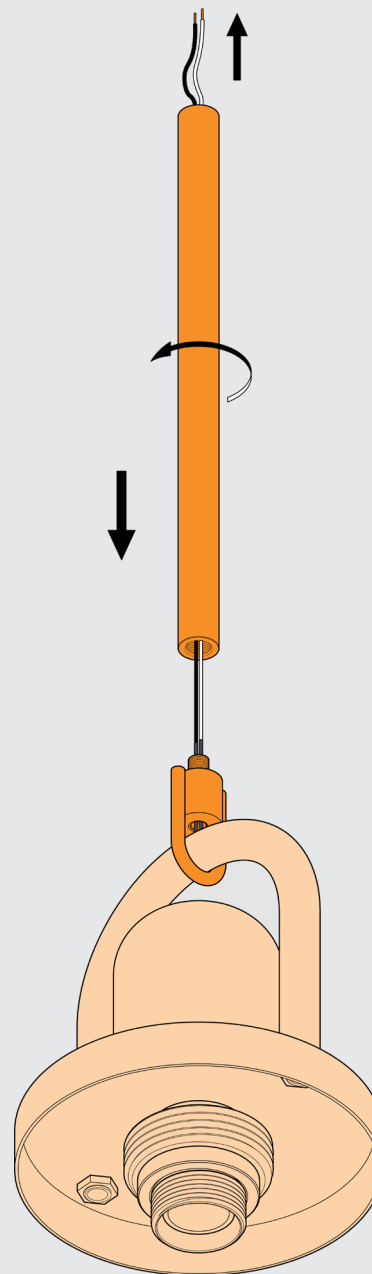
Travel the wires from the fixture through the hang rod.



5

---

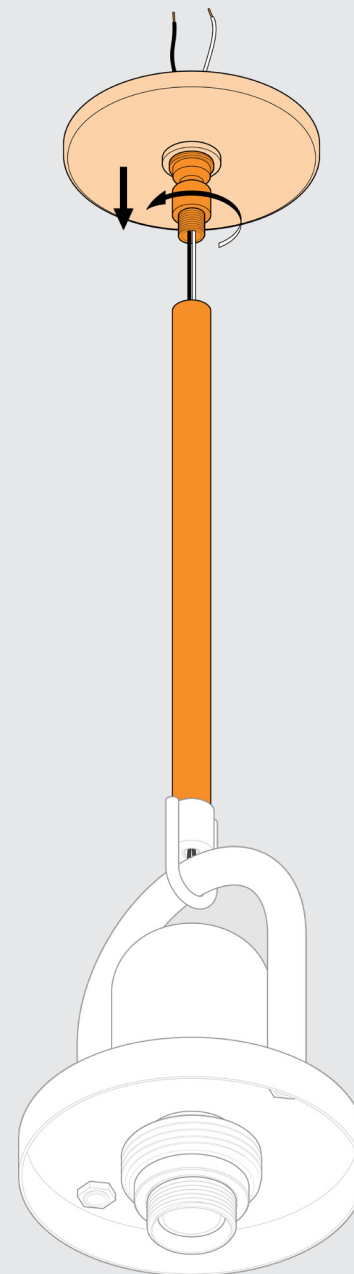
Screw the hang rod onto the fixture arc loop to secure the hang rod into place.



6

---

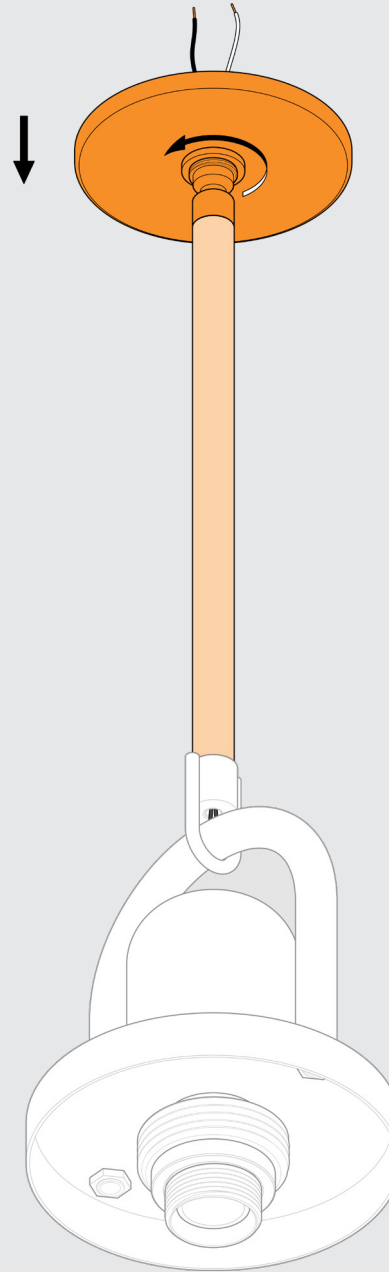
Travel the wires through the hang straight on the canopy assembly. Then, screw the hang straight onto the hang rod.



7

---

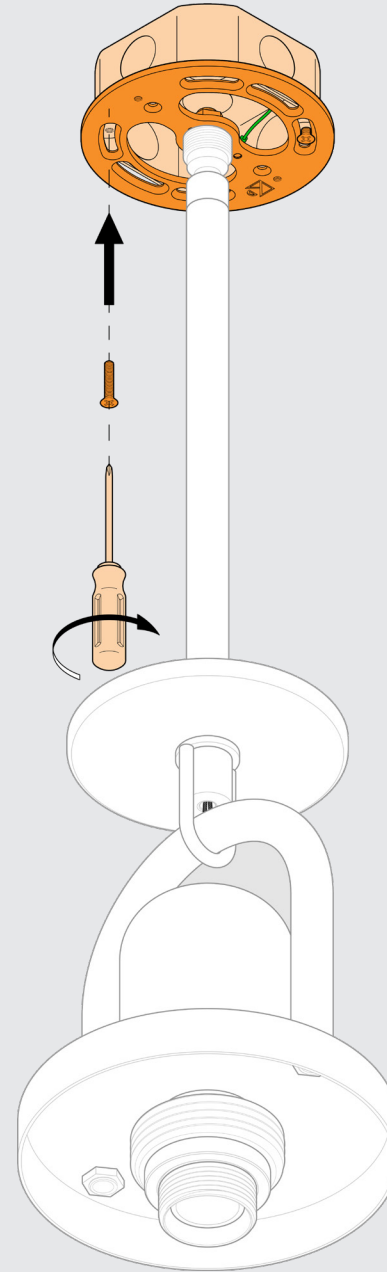
Unscrew the knurled ring from the hang straight and then carry the knurled ring and canopy down.



8

---

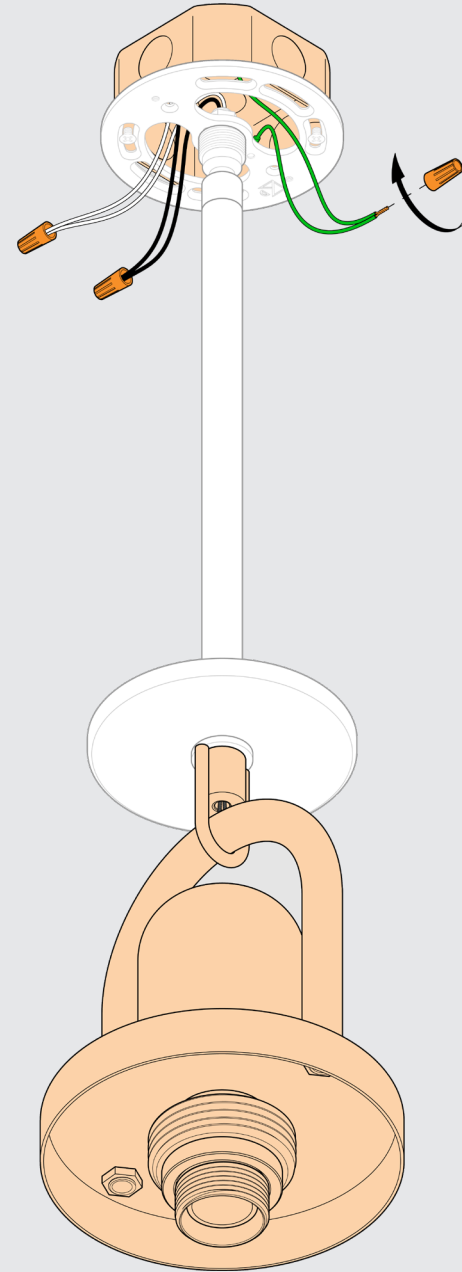
Mount the universal backplate onto the junction box using the provided machine screws.



9

---

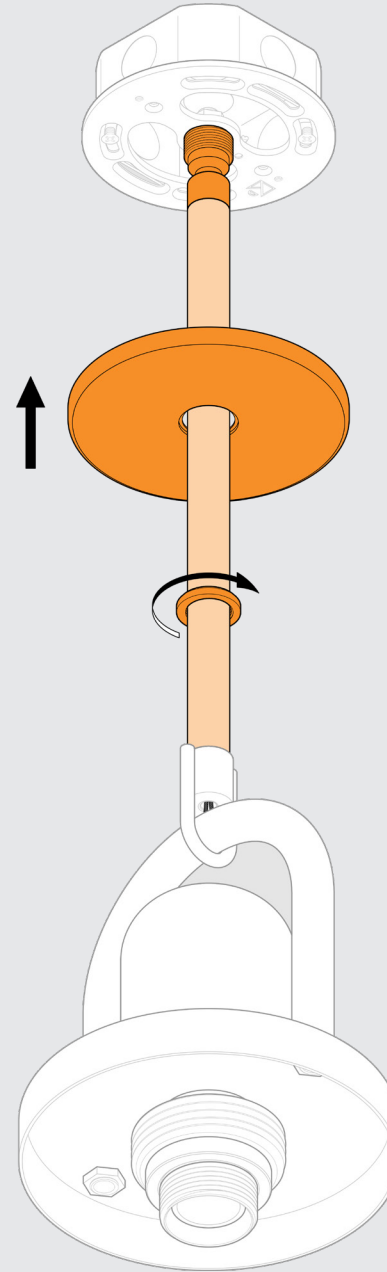
Connect the ground wire from the universal backplate with the ground wire from the junction box using a wire nut. Then, connect the wires from the fixture to the wires from the junction box using wire nuts.



10

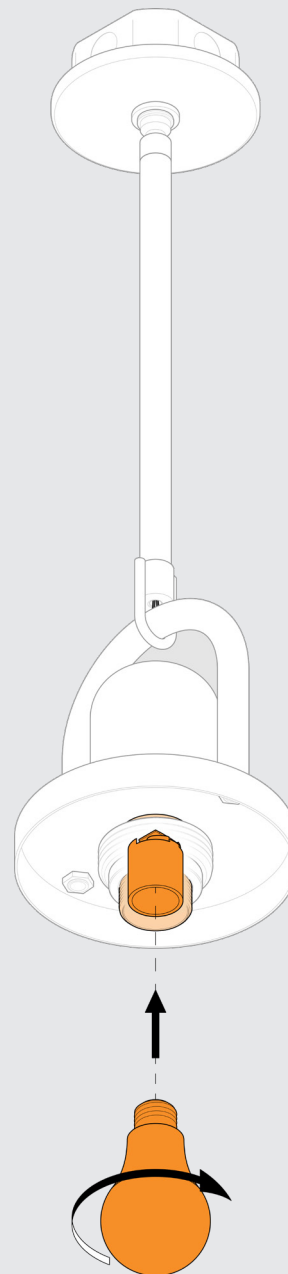
---

Carry the canopy and knurled ring back up and screw the knurled ring back onto the hang straight to secure the canopy into place.



11

—  
Screw the light bulb  
into the fixture socket.



12

---

Screw the glass onto the adapter to secure the glass into place.

**CAUTION:** Align threads properly for a smooth rotation before twisting to avoid jamming. **Do not overtighten the glass.**

