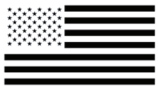




Bastion Wall Lamp

INSTALLATION GUIDE



HANDMADE
IN U.S.A.



WEAR GLOVES
DURING INSTALL

FRAGILE FINISHES

DANGER: ELECTRIC SHOCK RISK. TURN OFF ELECTRICAL POWER BEFORE BEGINNING INSTALLATION AND USE CAUTION WHEN INSTALLING.



+1 212 334 7333

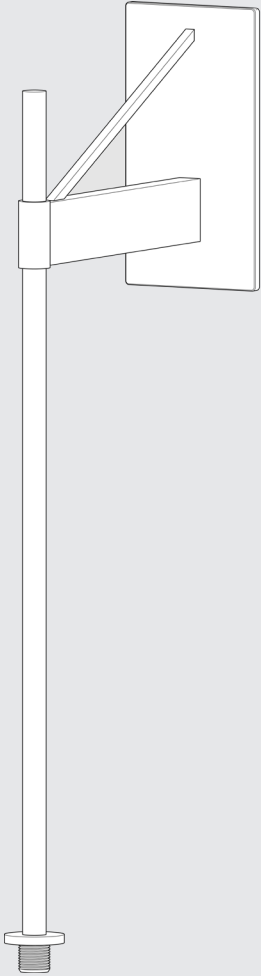
www.alliedmaker.com • sales@alliedmaker.com



1



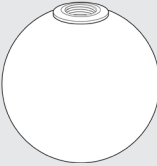
Inspect Contents



Fixture



Light Bulb

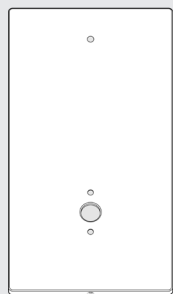


Glass

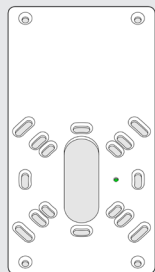


2x Machine Screw

—
Terminology



Fixture Backplate



Universal Backplate



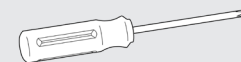
Fixture Socket
&
Socket Cover



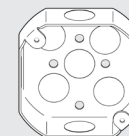
Set Screw



1/16 Hex Key
(Not Included)



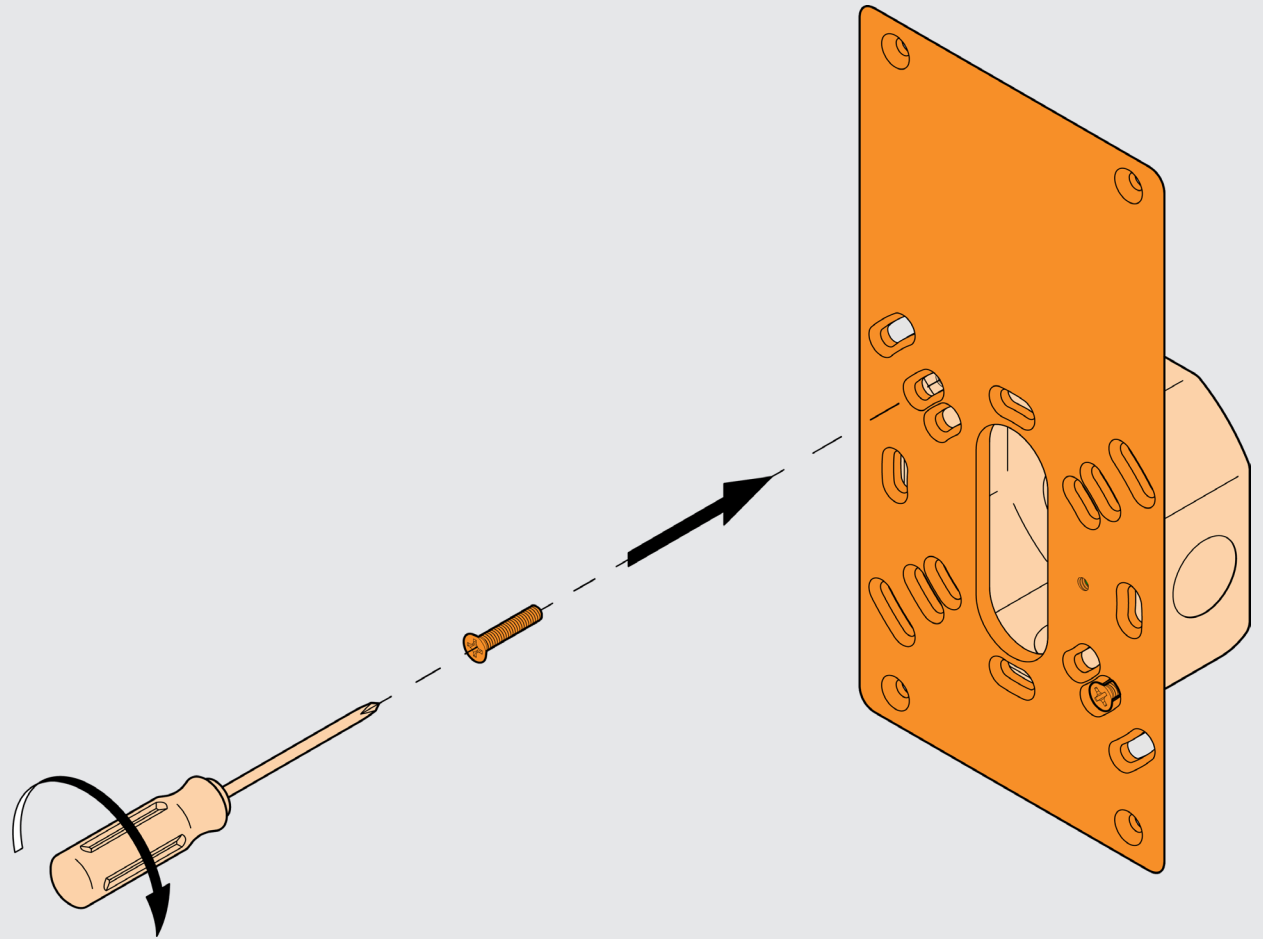
Phillips Screwdriver
(Not Included)



Junction Box
(Not Included)

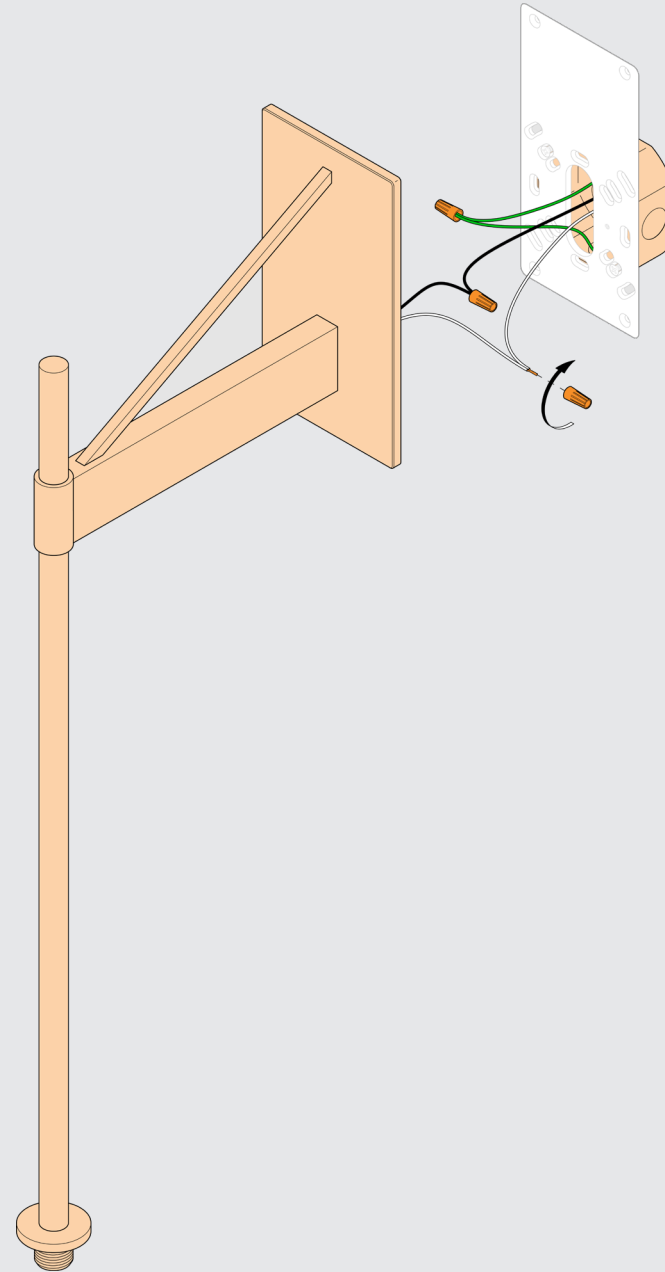
3

Mount the universal backplate to the junction box using the provided machine screws.



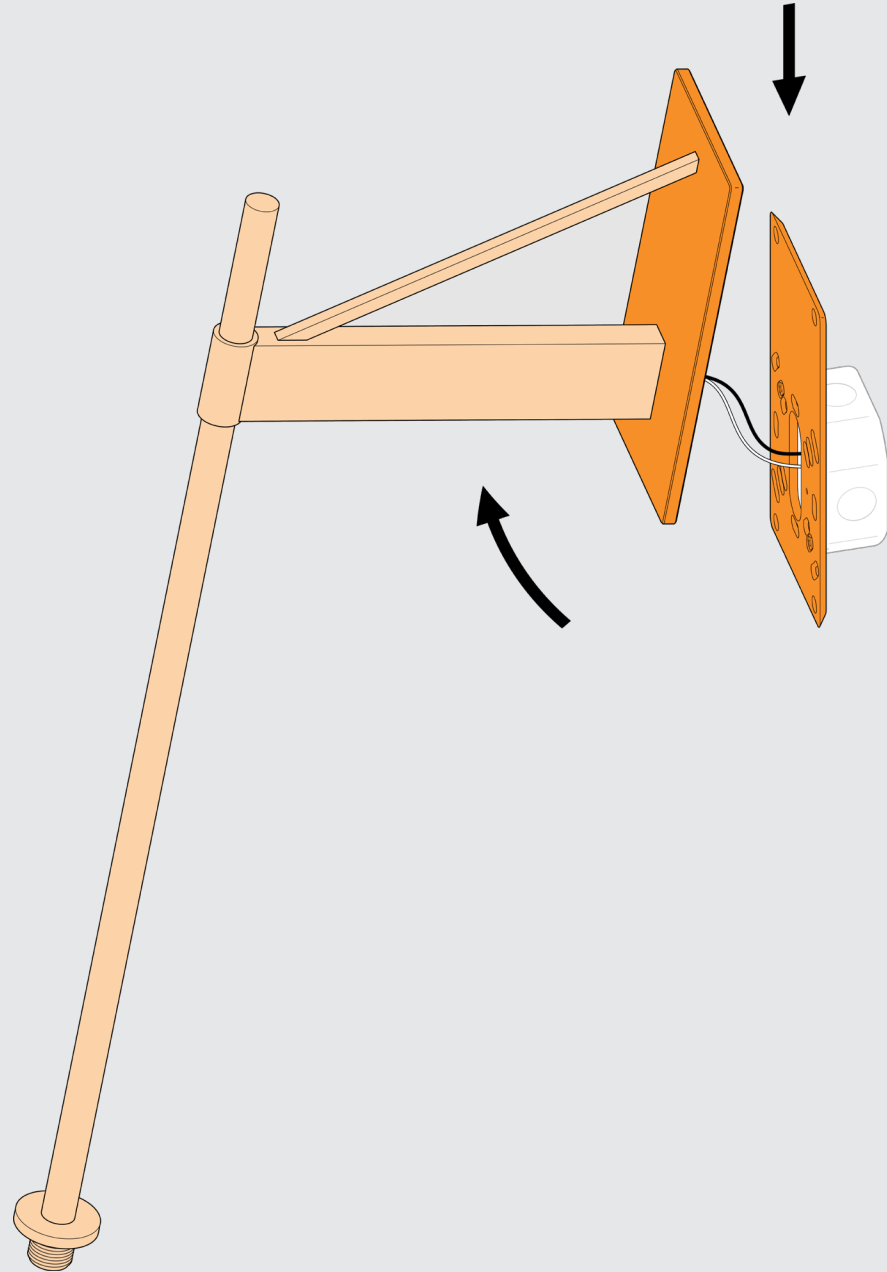
4

Connect the ground wire from the junction box to the ground wire on the universal backplate. Then, connect the wires from the fixture using wire nuts.



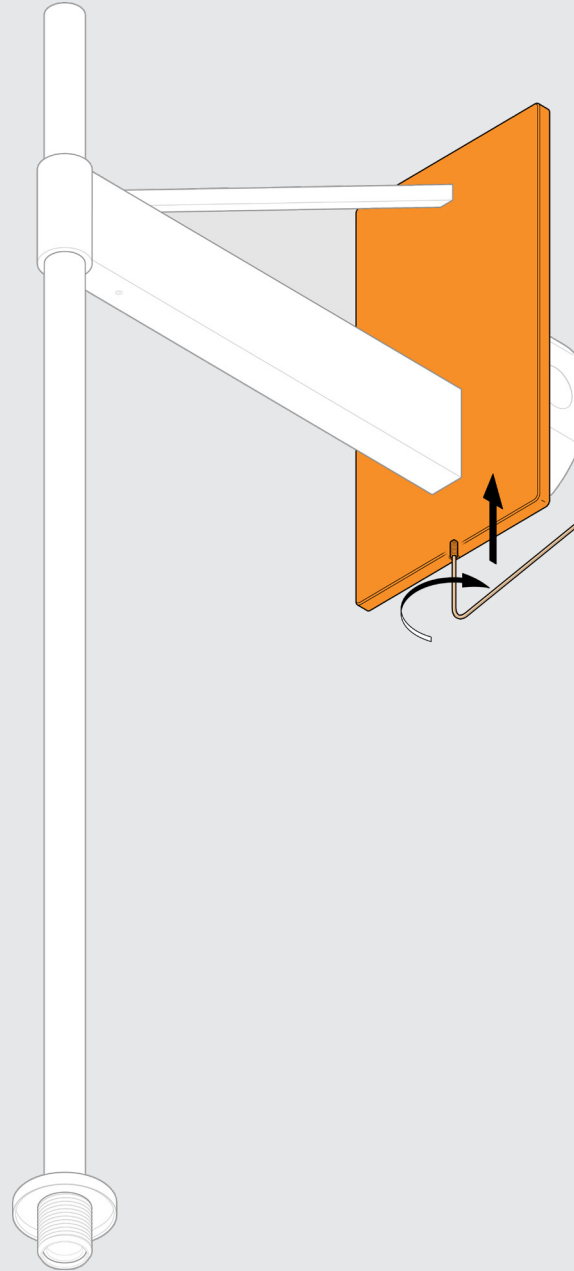
5

Tilt the fixture to an upward angle and place the fixture backplate over the universal backplate. Let the fixture rest into place.



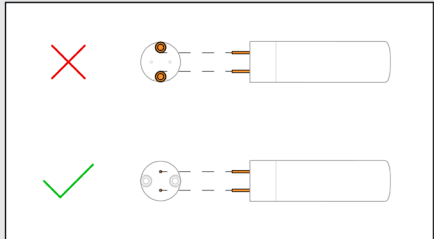
6

Once the fixture is resting in place, tighten the set screw on the fixture backplate to lock the fixture into place.



7

—
Insert the light bulb
into the fixture socket.



8

Screw the glass onto the socket cover.

CAUTION: Align threads properly for a smooth rotation before twisting to avoid jamming. **Do not overtighten the glass.**

