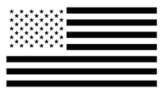




Flush Dome

INSTALLATION GUIDE



HANDMADE
IN U.S.A.



WEAR GLOVES
DURING INSTALL

FRAGILE FINISHES

DANGER: ELECTRIC SHOCK RISK. TURN OFF ELECTRICAL POWER BEFORE BEGINNING INSTALLATION AND USE CAUTION WHEN INSTALLING.



+1 212 334 7333

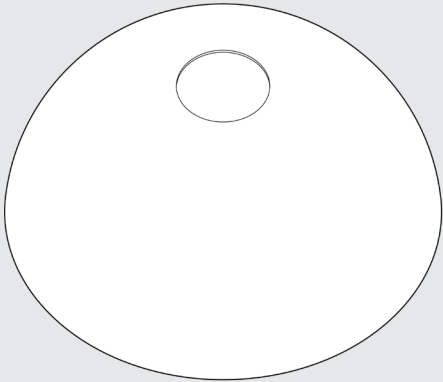
www.alliedmaker.com • sales@alliedmaker.com



1



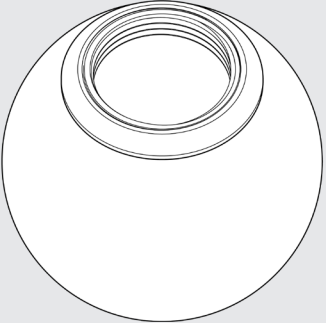
Inspect Contents



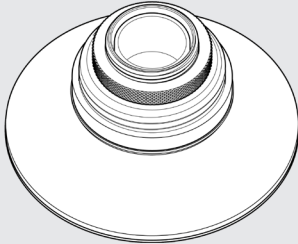
Dome



Light Bulb



Glass



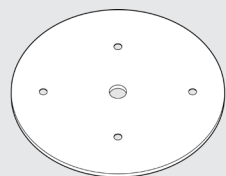
Fixture



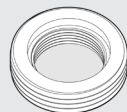
2x Machine Screw



Inspect Contents



Backplate



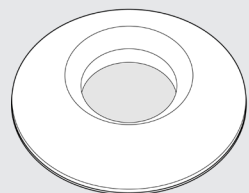
Adapter



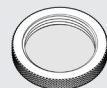
Socket Cover



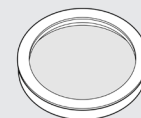
Philips Screwdriver
(Not Included)



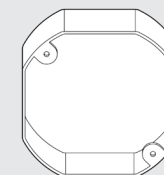
Wood Doughnut



Lock Ring



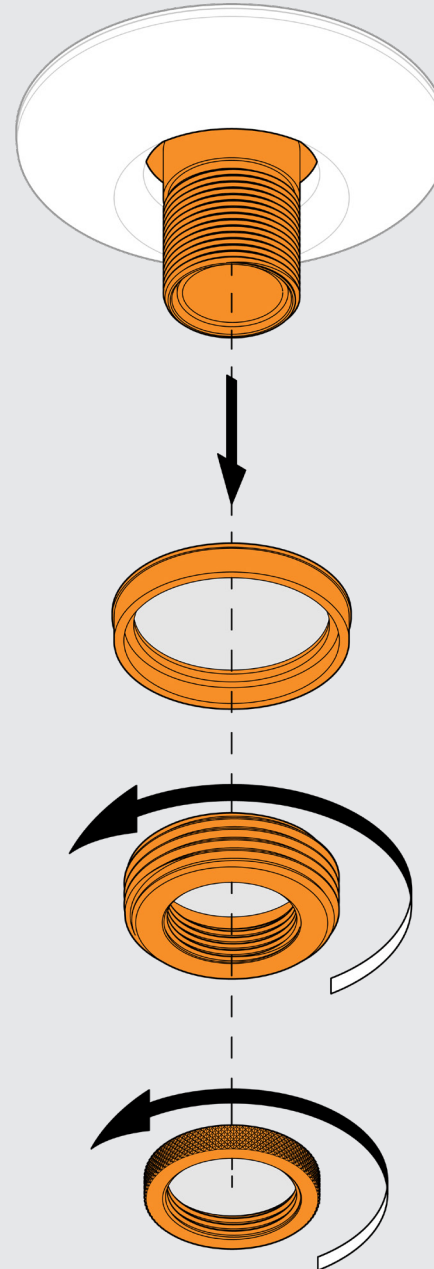
Washer



Junction Box
(Not Included)

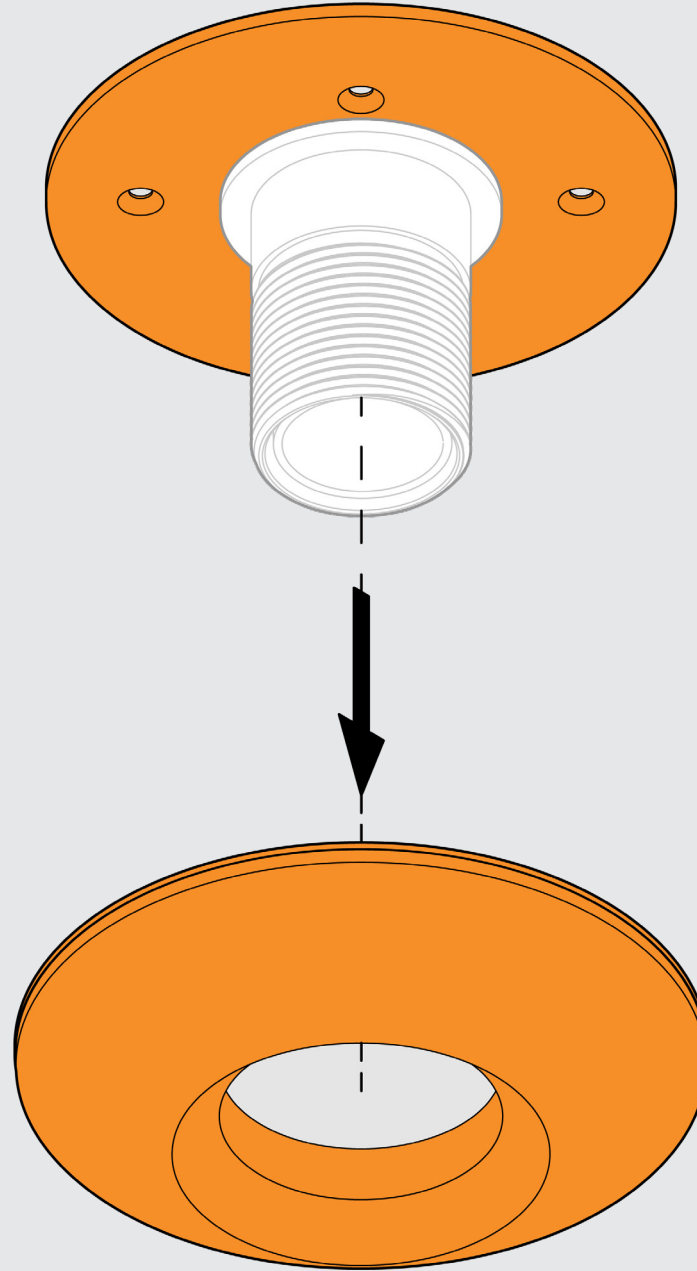
3

Unscrew the lock ring and then the adapter off of the fixture socket cover. Then, remove the washer.



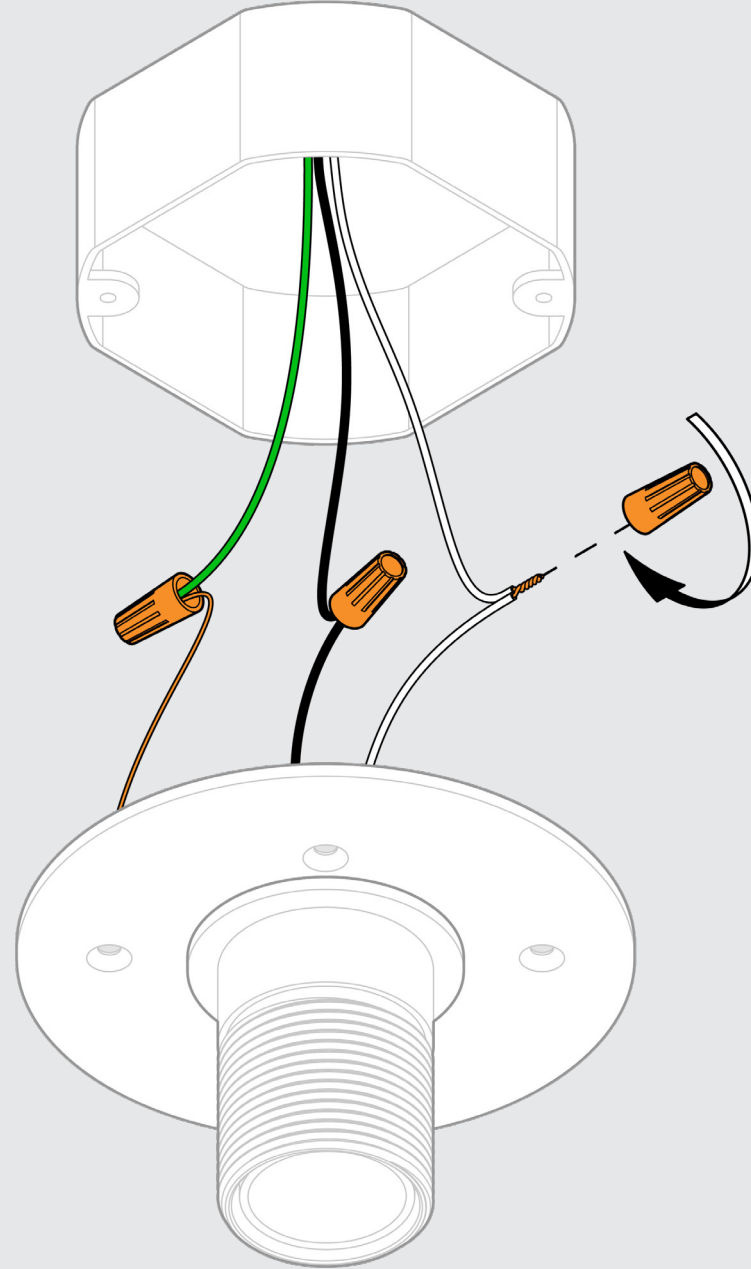
4

Pull the magnetically attached wood doughnut off of the fixture backplate.



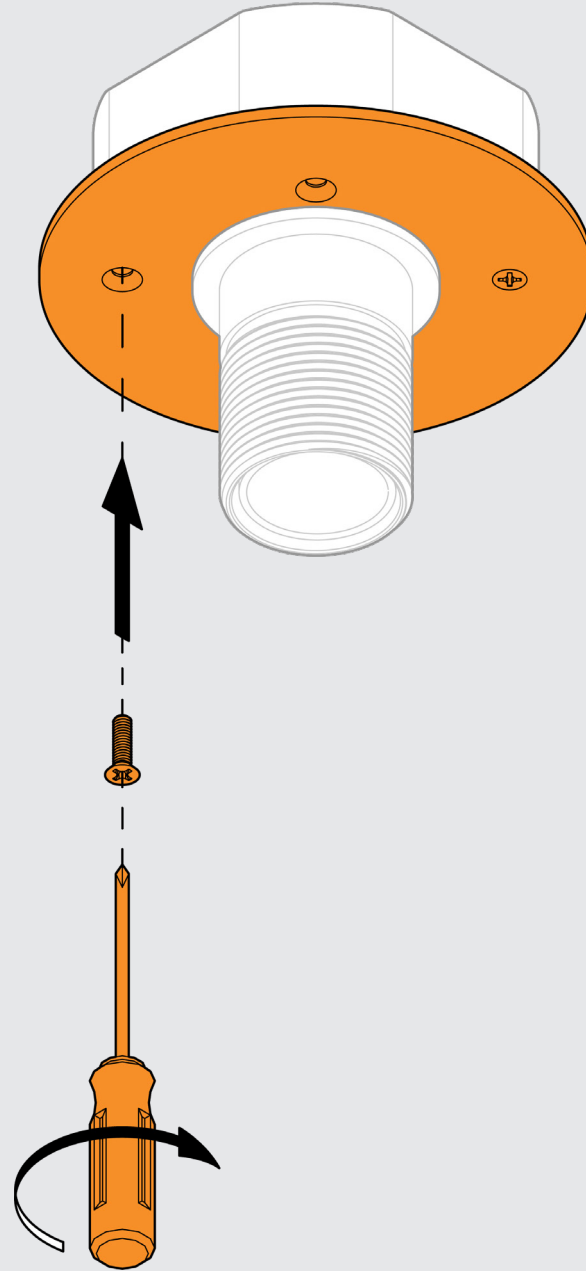
5

Connect the wires from the fixture to the wires from the junction box using wire nuts.



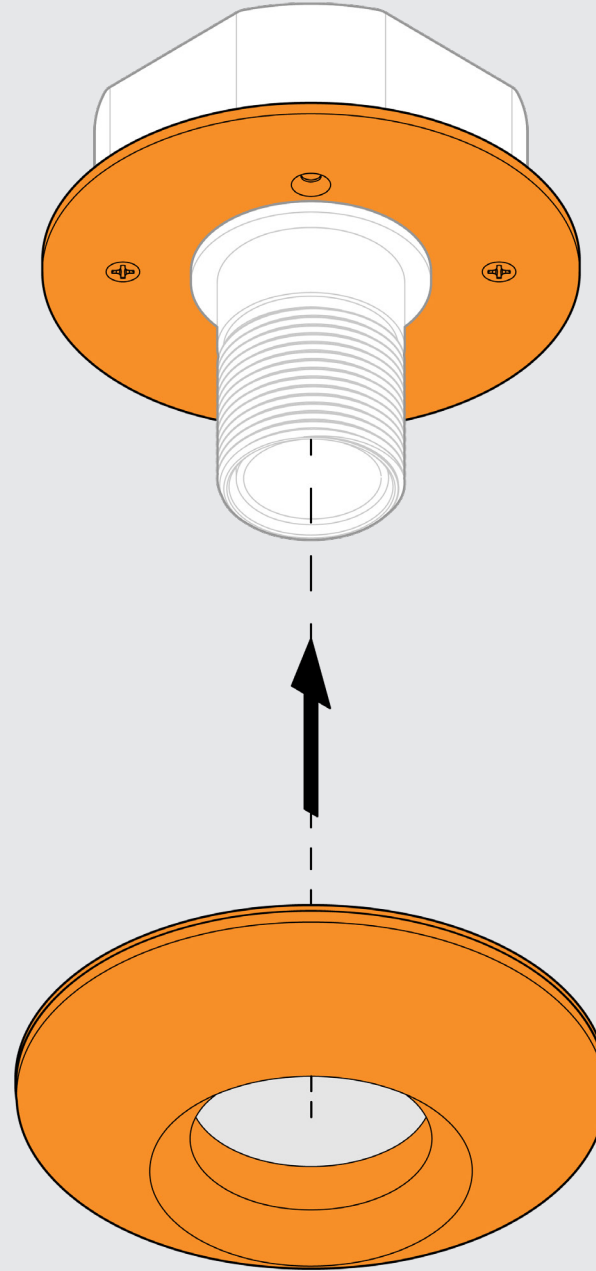
6

Mount the fixture backplate to the junction box using the provided machine screws.



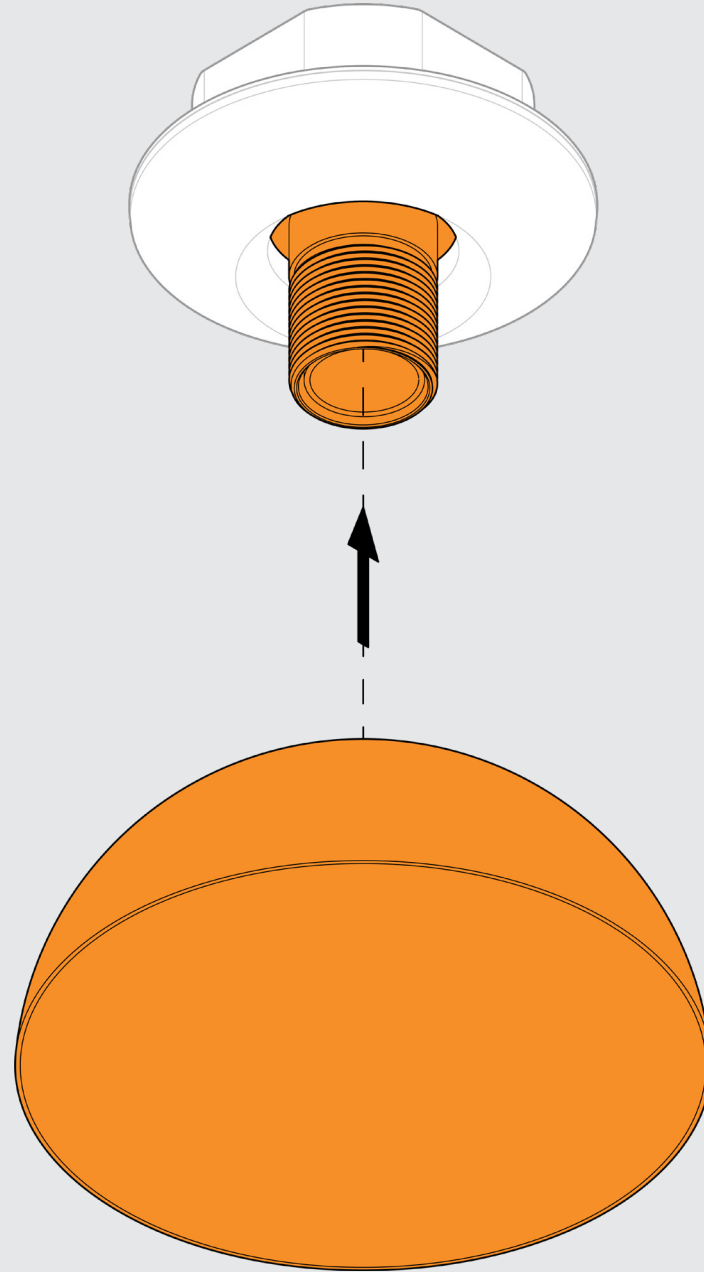
7

Place the wood doughnut back
onto the fixture backplate.



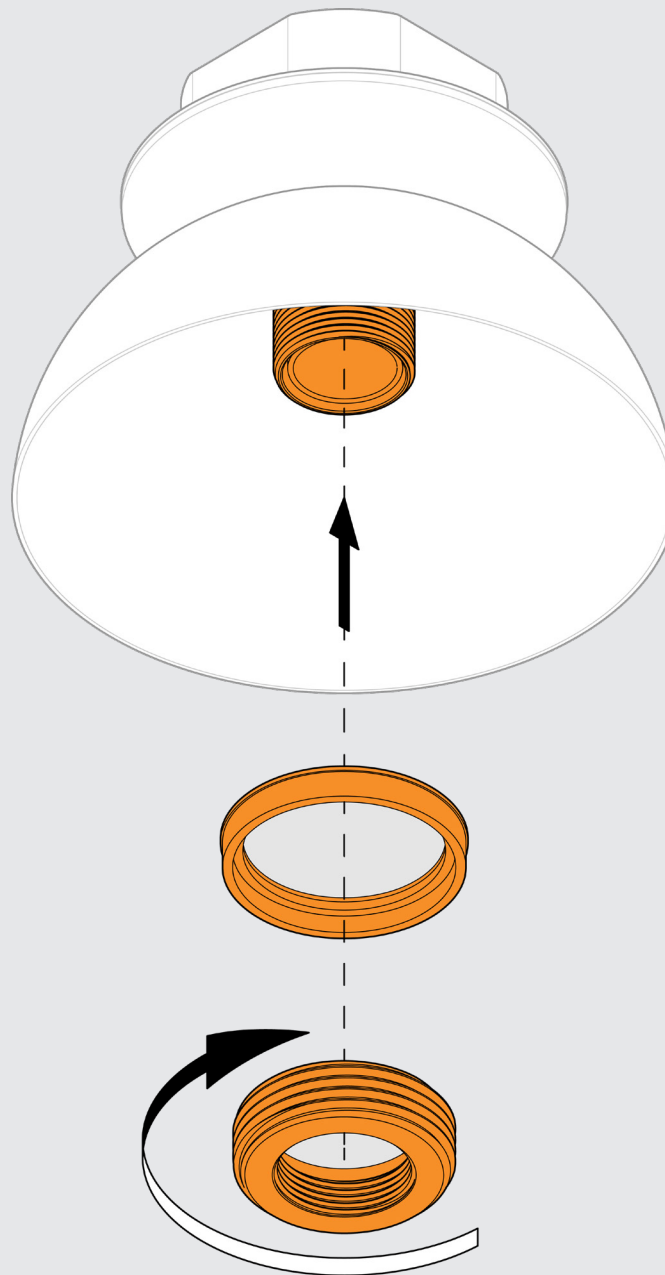
8

Place the dome over the fixture socket cover and hold in place.



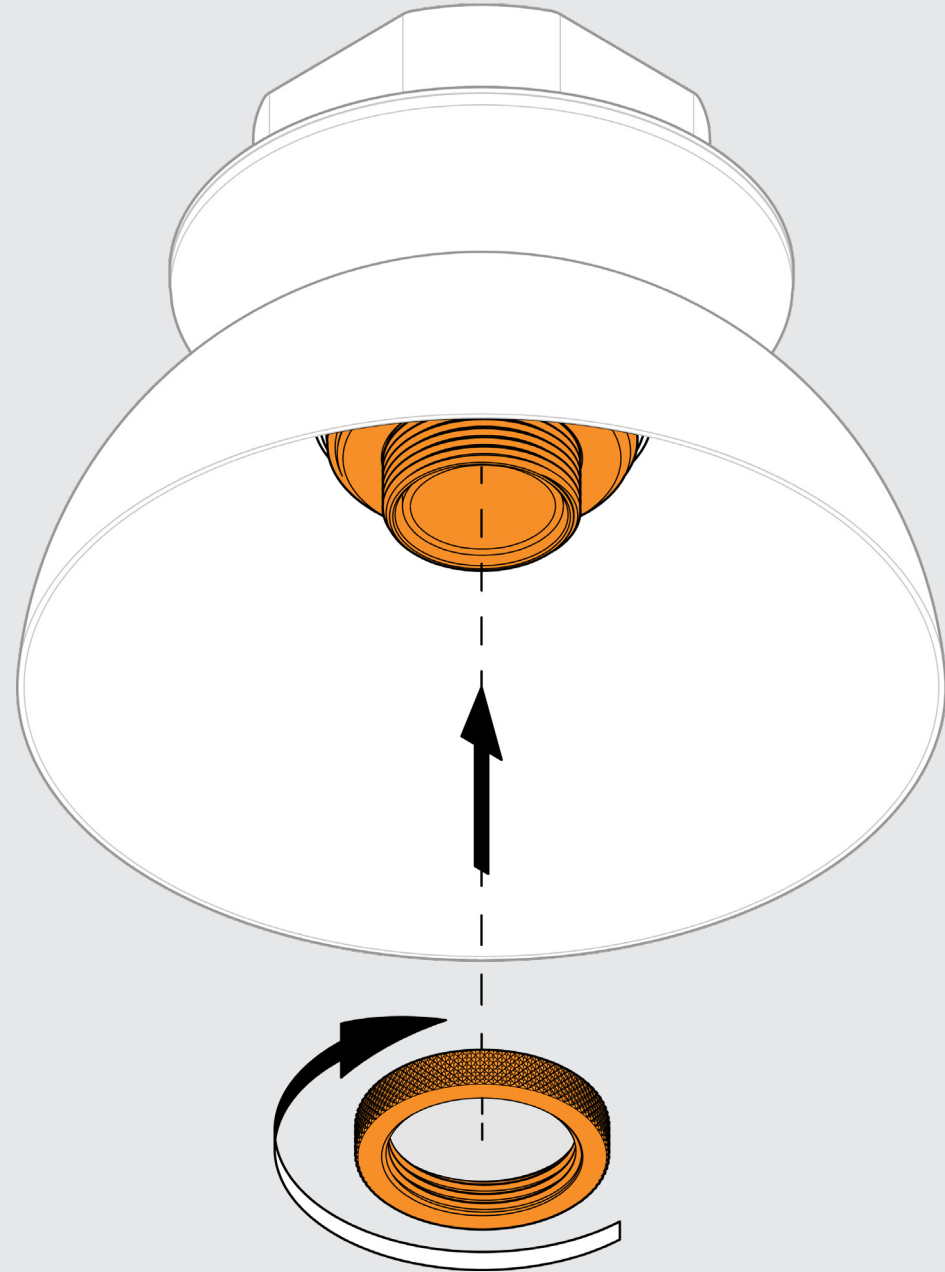
9

Place the washer back over the socket cover and then screw the adapter back onto the fixture socket cover to secure the dome and washer into place.



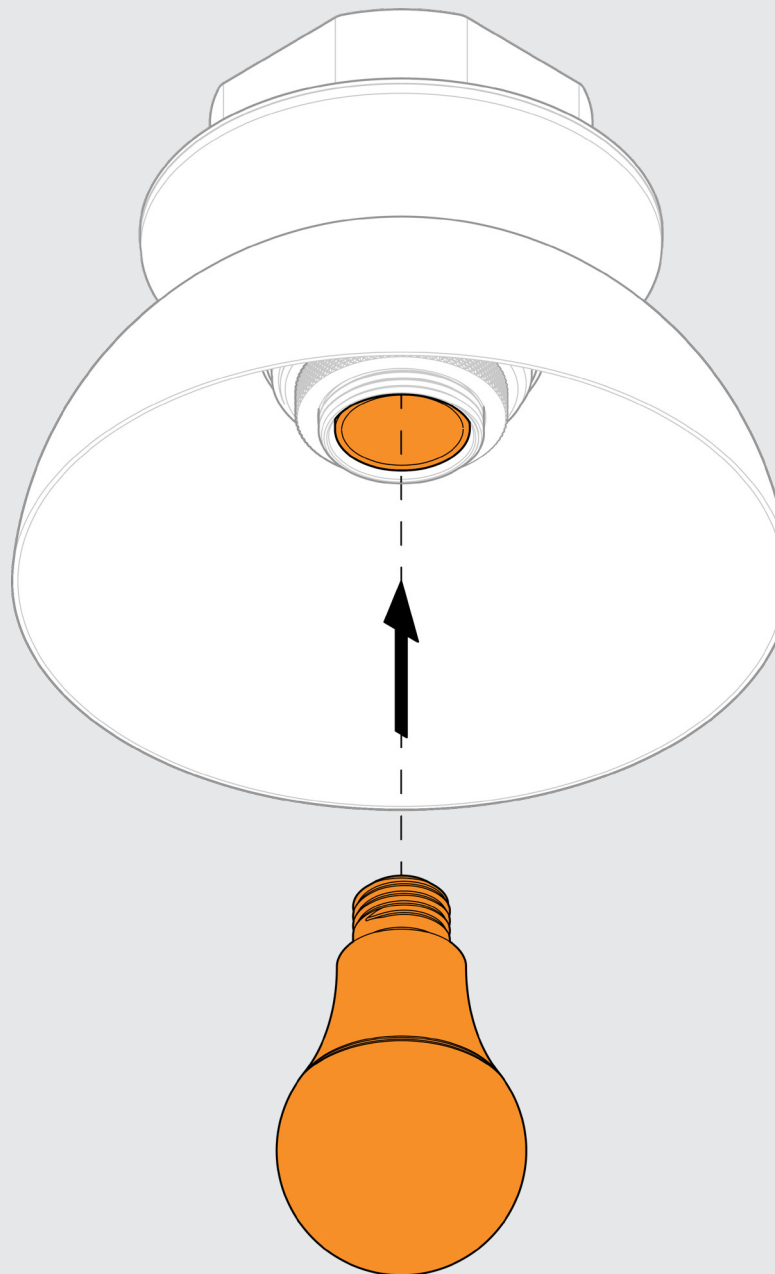
10

—
Screw the lock ring back
onto the socket cover.



11

—
Screw the light bulb
into the fixture socket.



12

Screw the glass
onto the adapter.

CAUTION: Align threads
properly for a smooth
rotation before twisting
to avoid jamming. **Do not
overtighten the glass.**

