



HANDMADE
IN U.S.A.

Bright Side

CEI-029

Two domed glass shades are balanced on the ends of a carefully bent brass arc; projecting light upwards while also diffusing light below.

Metal Finish Options

Available in any Allied Maker metal finish

81 Franklin St, New York, NY 10013
sales@alliedmaker.com
(212) 334-7333





Lamping

120V - G8 Bi-pin Base
240V - G8 Bi-pin Base

Bulb Included

G8 Emery Allen LED
2x 4.5W (50W Equivalent) LED
900 Total Lumen Output
2700K / 90 CRI
G8 Bi-pin Base / Dimmable / 120 Volt
240V available upon request

J-Box Requirements

Fits all standard
junction boxes

Certifications

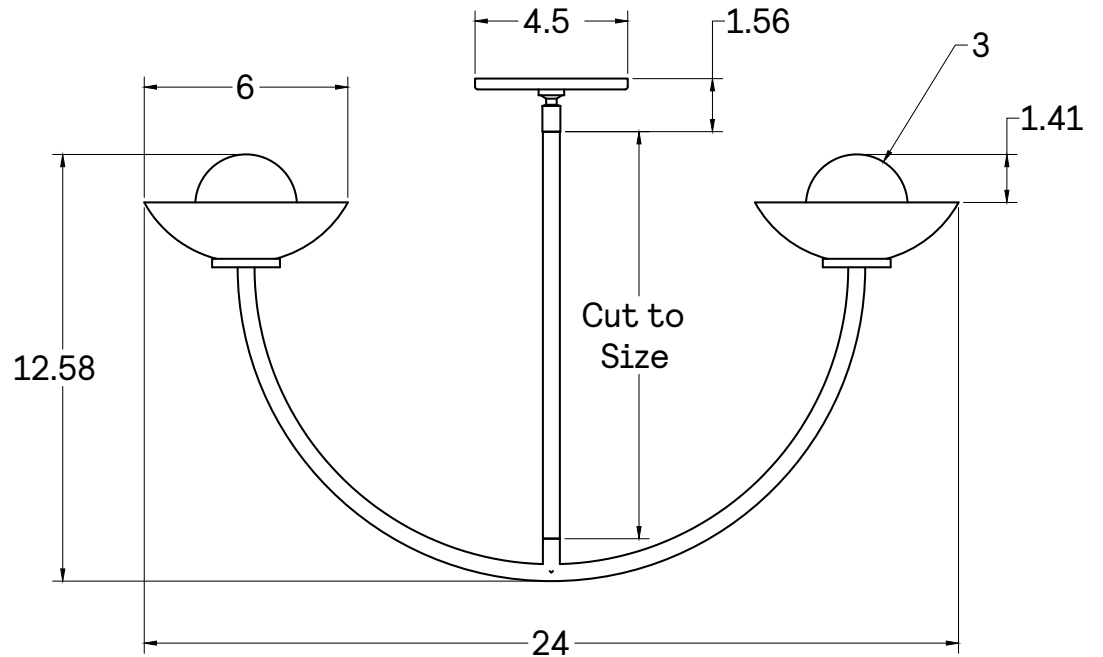
cUL Damp locations

Materials

Machined Brass,
Blown Glass

Weight

3.25 lbs



81 Franklin St, New York, NY 10013
sales@alliedmaker.com
(212) 334-7333