



ALLIED MAKER

MADE IN NEW YORK

# Ewing Pendant

Installation Guide

212-334-7333

[help@alliedmaker.com](mailto:help@alliedmaker.com)

**LIVING FINISHES**

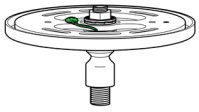
Wear Gloves!



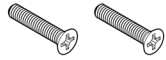
THIS PRODUCT MUST BE INSTALLED IN ACCORDANCE WITH THE APPLICABLE  
INSTALLATION CODE BY A PERSON FAMILIAR WITH THE CONSTRUCTION AND  
OPERATION OF THE PRODUCT AND HAZARDS INVOLVED



# Contents Included



Canopy



2x Phillips Screw



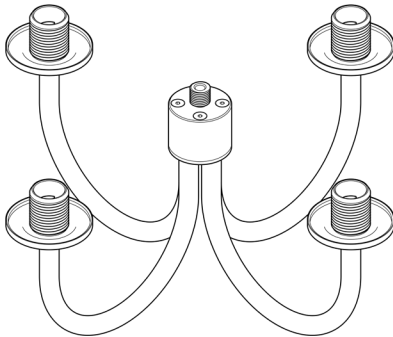
Hang Tube #1



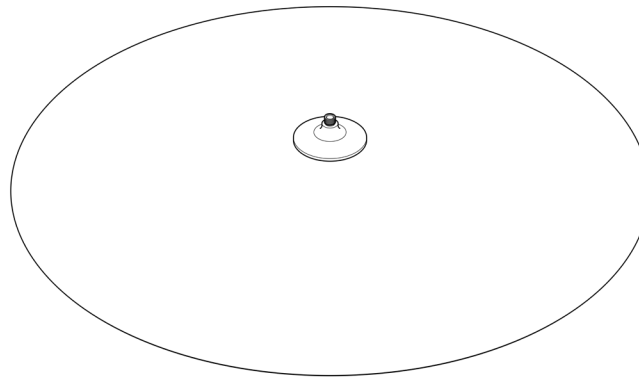
Hang Tube #2



4x Glass



Lighting Fixture



Shade



4x Light Bulb

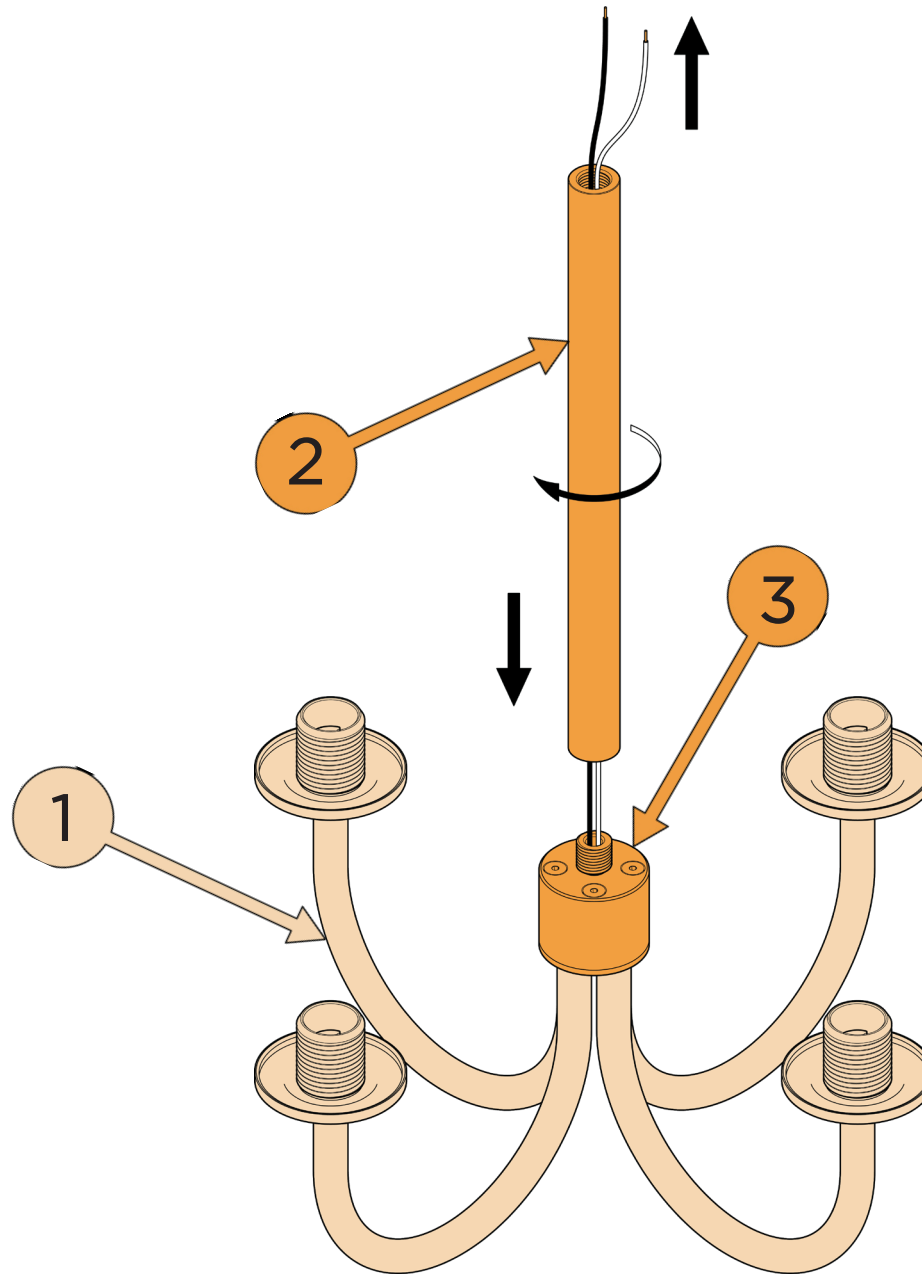


4x Glass Shade

# 1

Travel the wires from the lighting fixture ① through the hang tube #1 ②

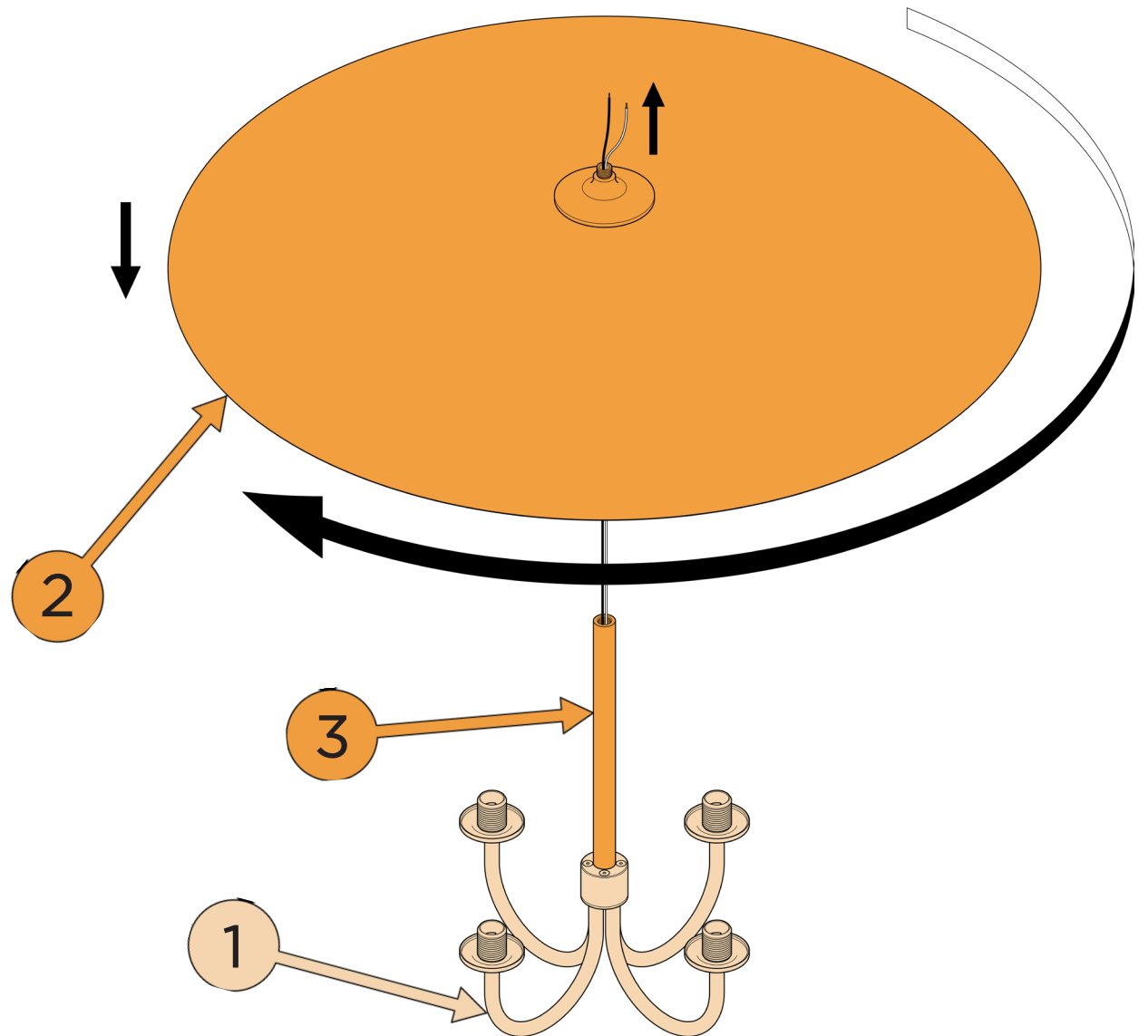
Screw the hang tube #1 ② onto the lighting fixture body ③



# 2

Travel the wires from the lighting fixture ① through the shade ②

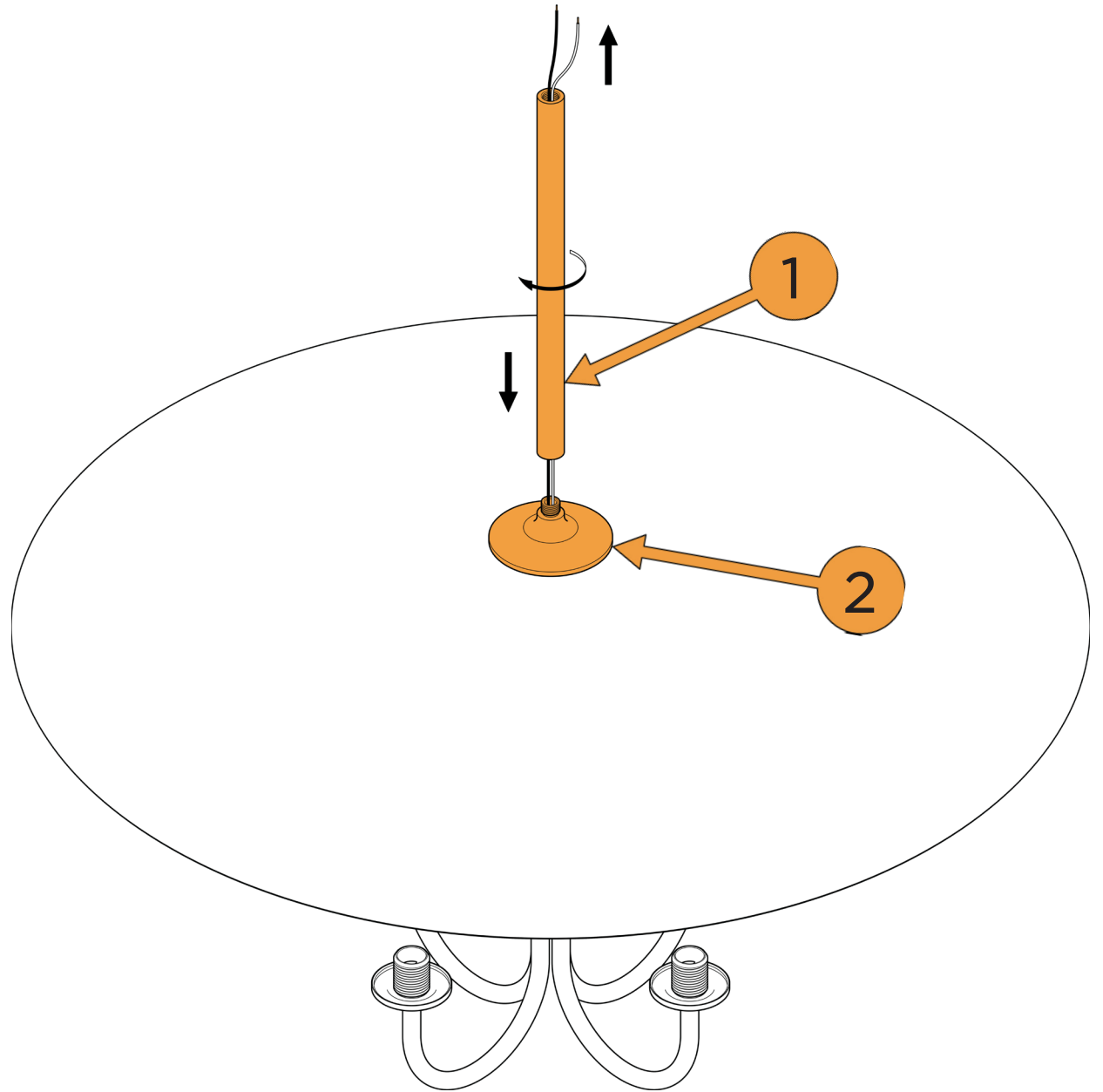
Screw the shade ② onto the hang tube #1 ③



# 3

Travel the wires through the  
hang tube #2 ①

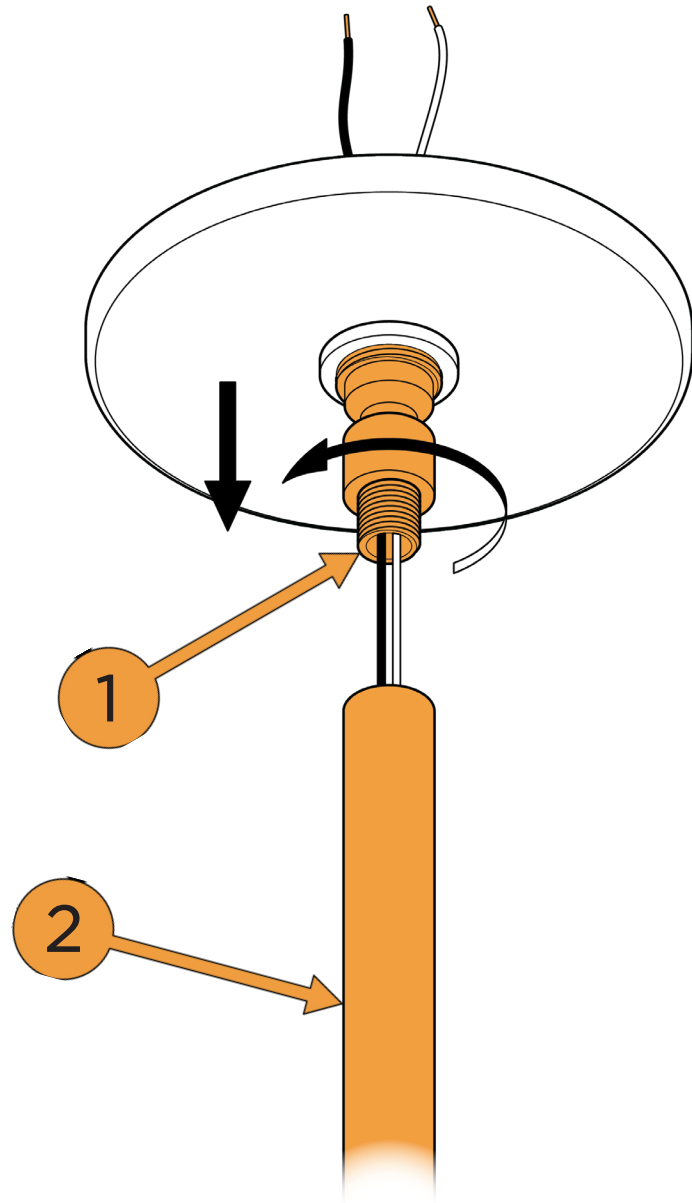
Screw the hang tube #2 ①  
onto the adapter ②



# 4

Travel the wires  
through the hang straight ①

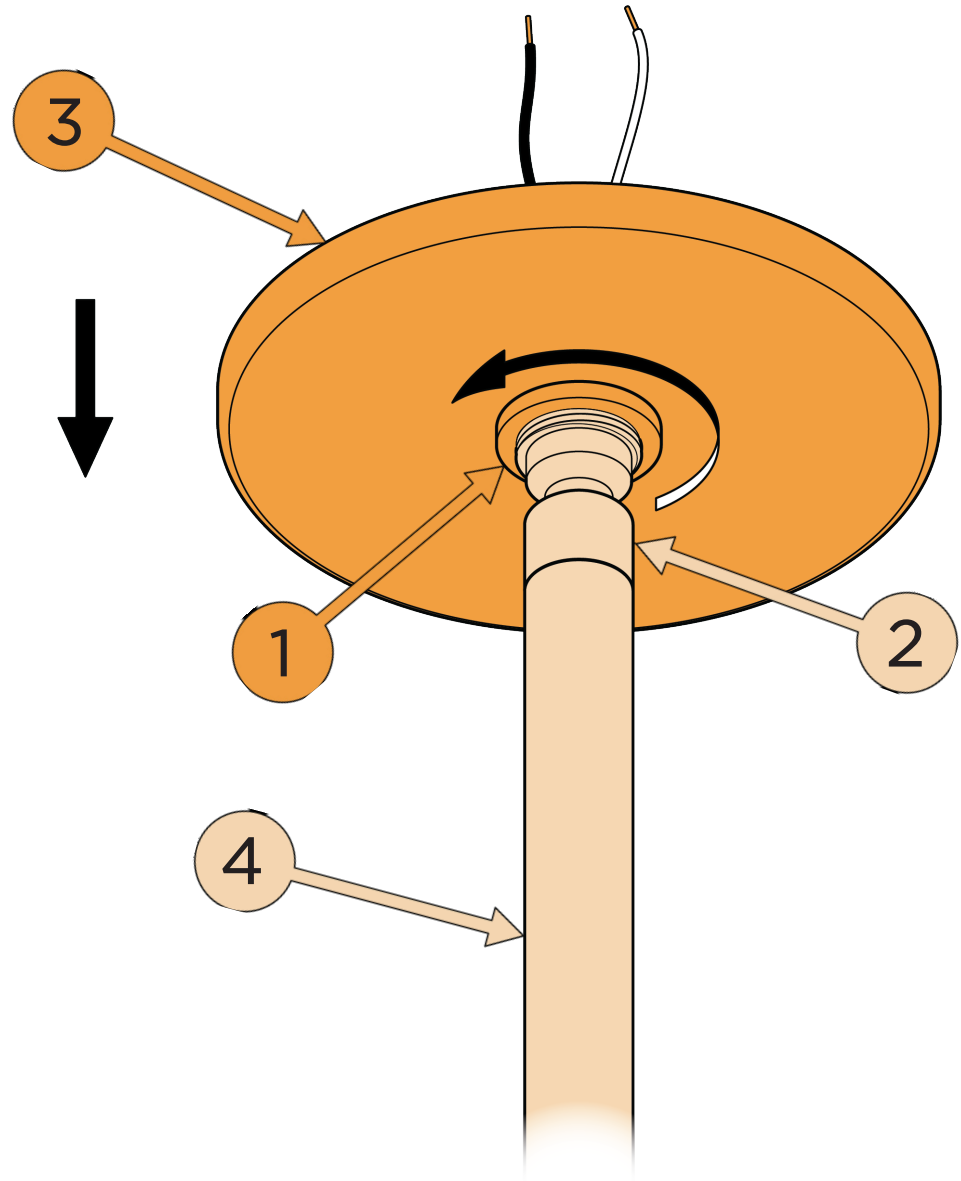
Screw the hang straight ①  
onto the hang tube #2 ②



# 5

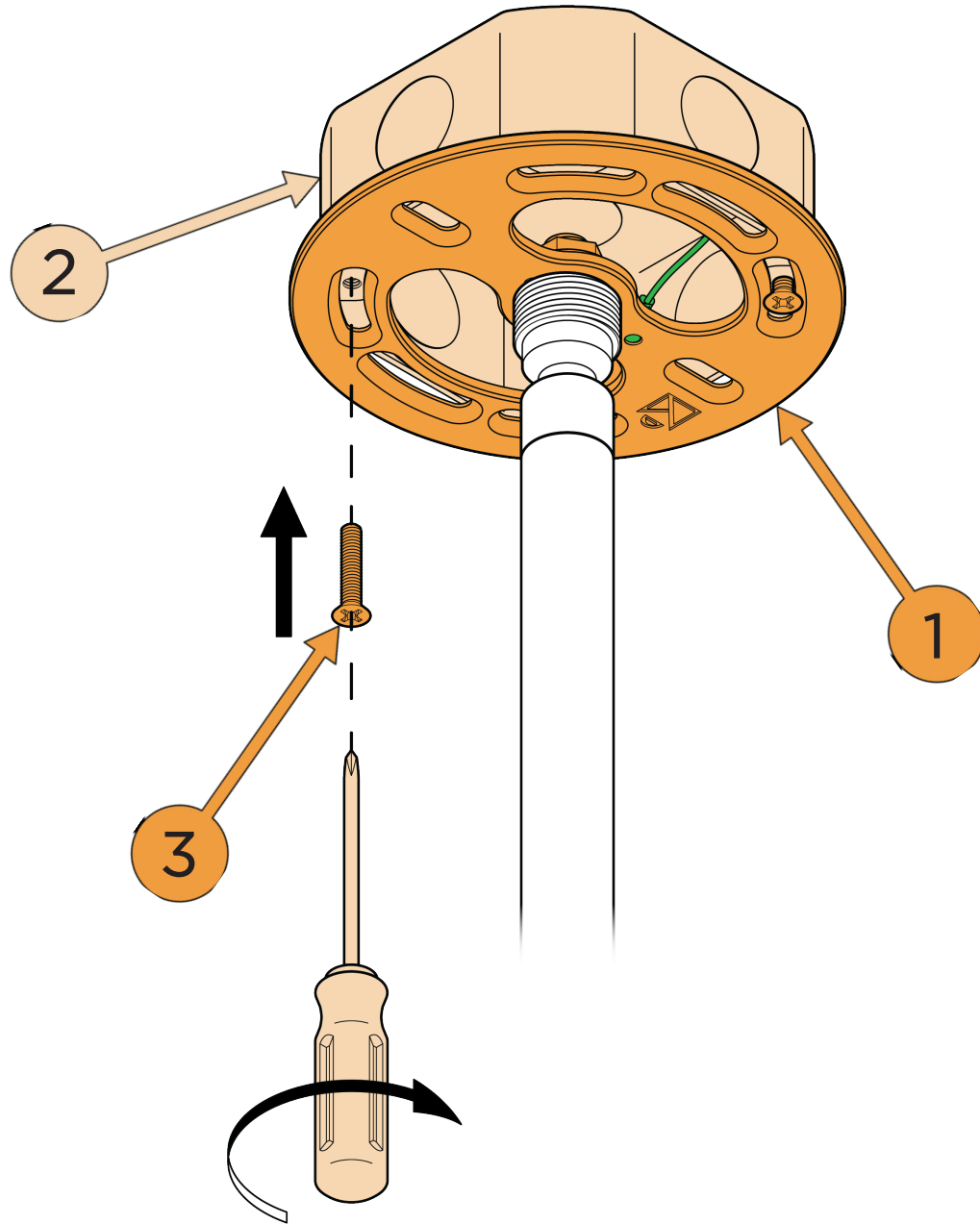
Unscrew the knurled ring ①  
from the hang straight ②

Carry the knurled ring ① and the  
canopy ③ down the hang tube #2 ④



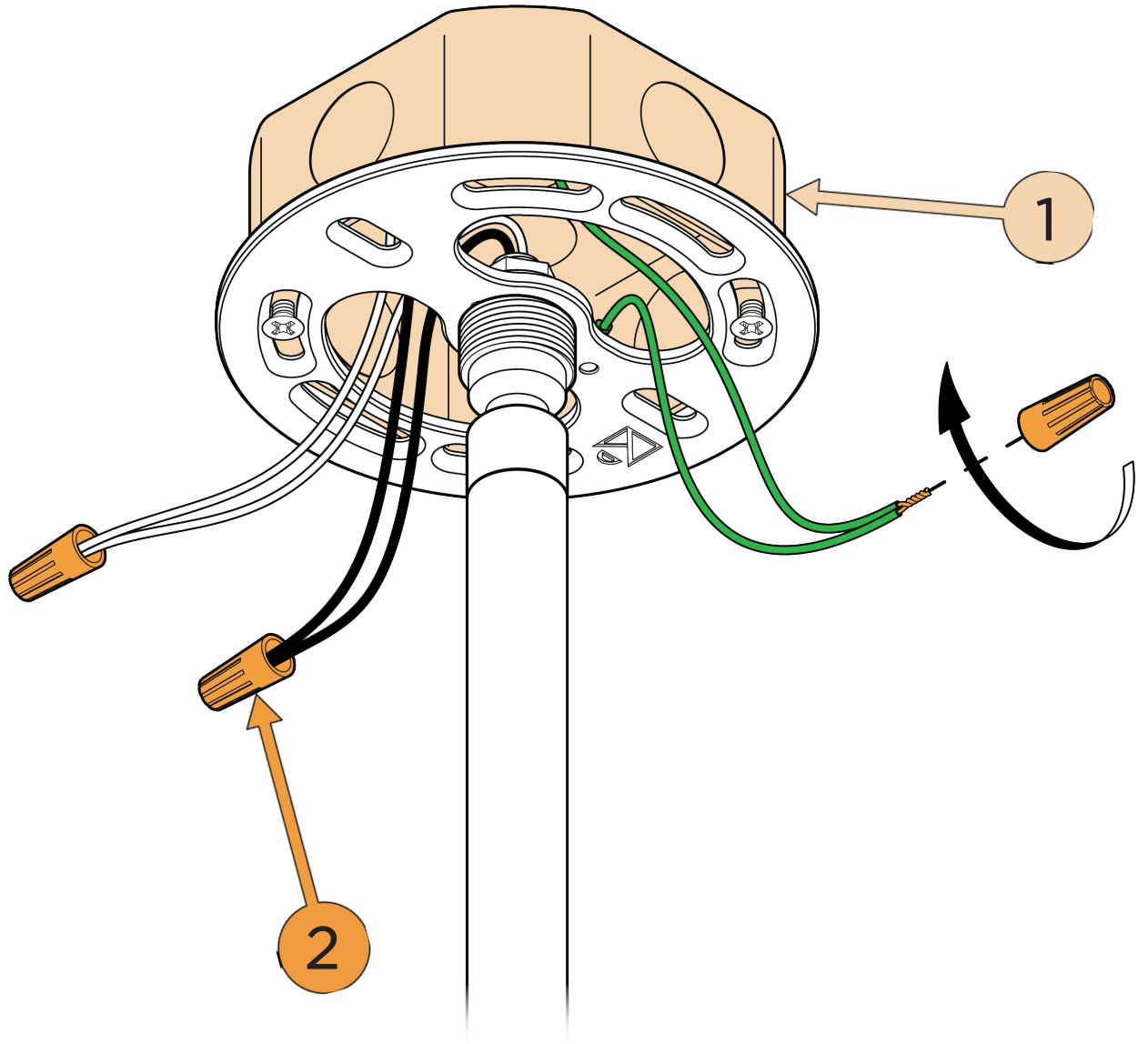
# 6

Mount the backplate ①  
onto the junction box ②  
using the provided phillips screws ③



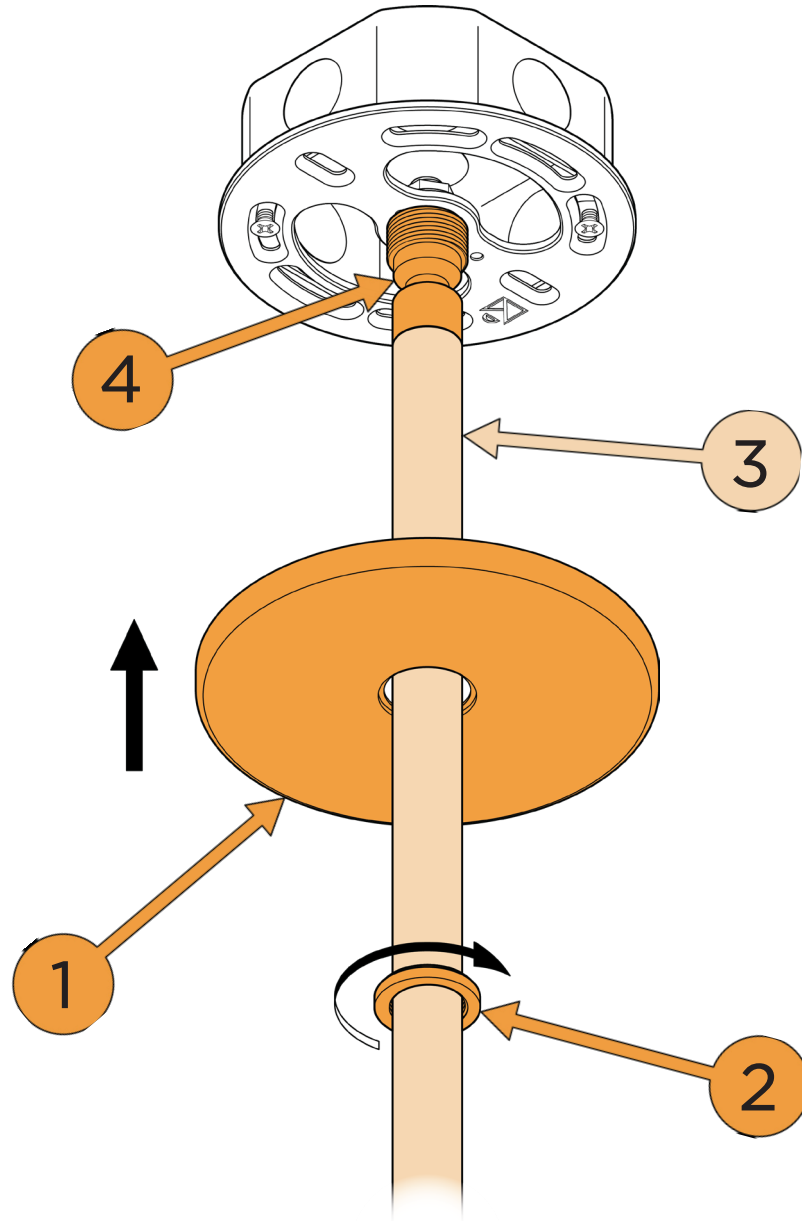
# 7

Connect the wires from the lighting fixture with the wires from the junction box ① using wire nuts ②



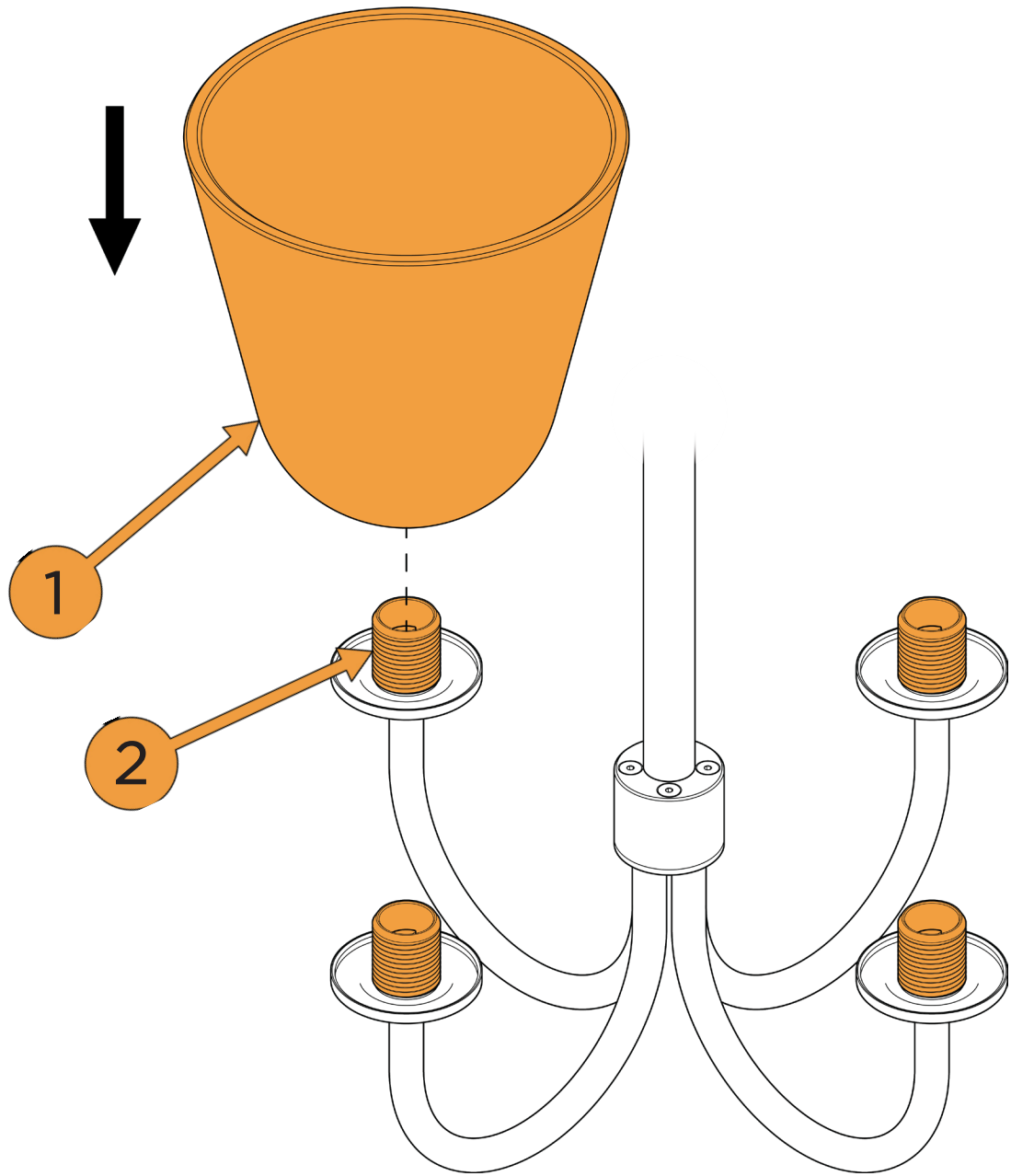
# 8

Carry the canopy ① and knurled ring ② up the hang tube ③ and screw the knurled ring ② onto the hang straight ④ to secure the canopy ① into place.



# 9

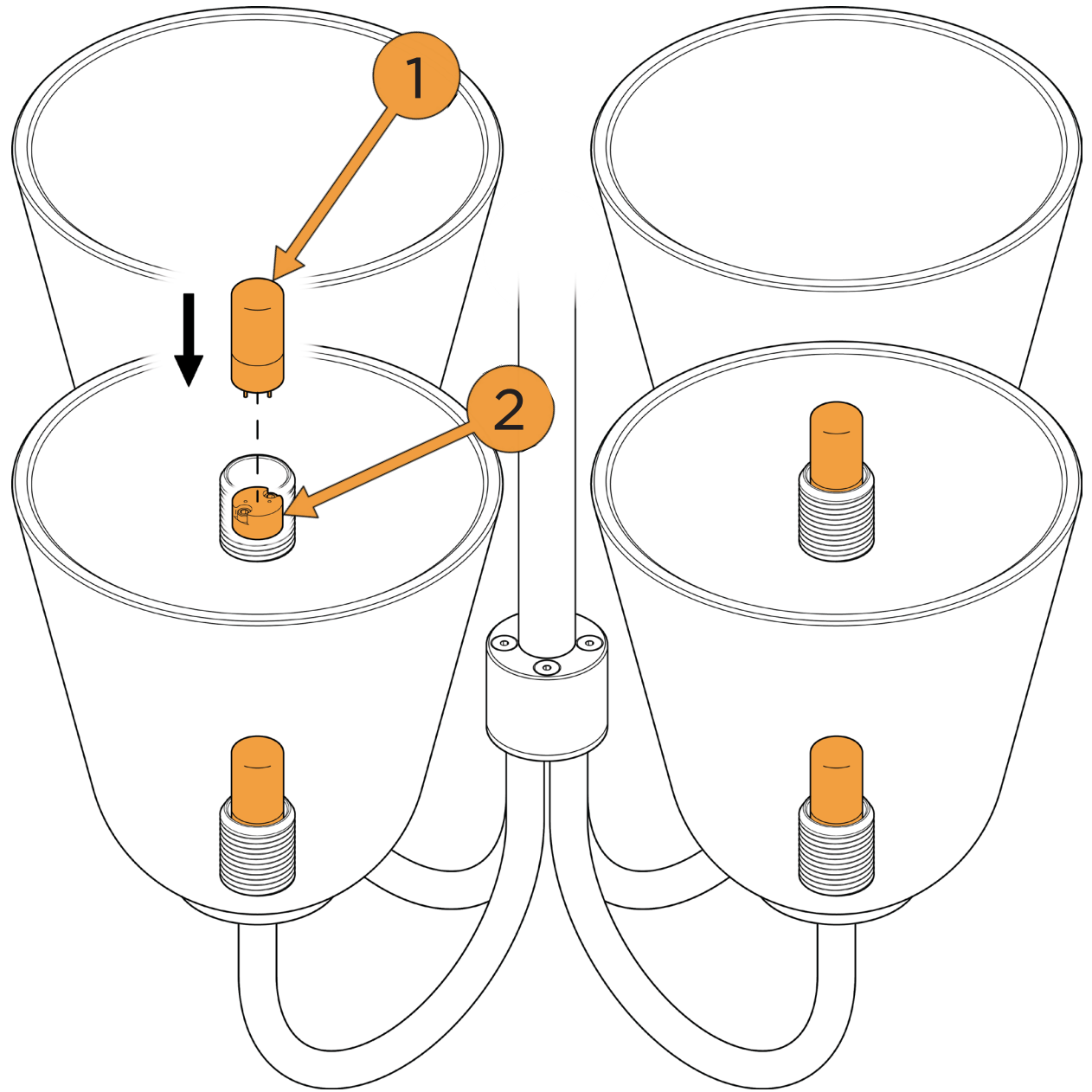
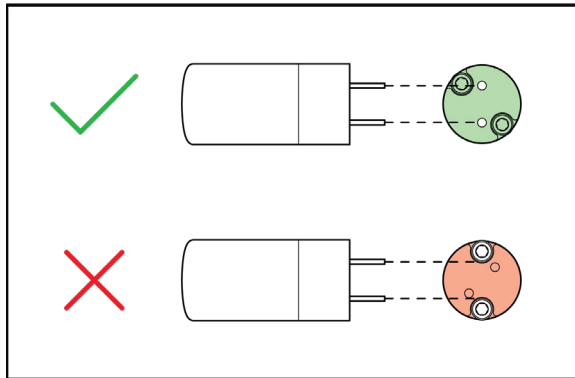
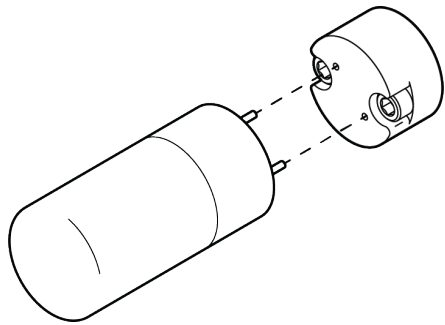
Place the glass shades ①  
over the socket covers ②  
and hold in place.



# 10

Insert the light bulbs ①  
into the fixture sockets ②

**CRITICAL:** Align pins with  
pin holes, then push in.



# 11

Screw the glass ①  
onto the socket covers ②

**CAUTION:** Align threads properly  
for a smooth rotation before  
twisting to avoid jamming.  
**Do not overtighten the glass.**

