



ALLIED MAKER

MADE IN NEW YORK

# Angular Wall Lamp

Installation Guide

212-334-7333

[help@alliedmaker.com](mailto:help@alliedmaker.com)

**LIVING FINISHES**

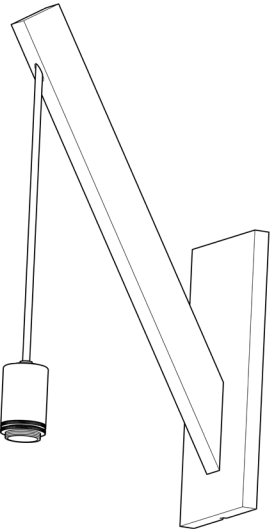
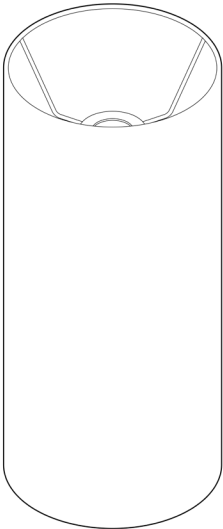




Wear Gloves!



THIS PRODUCT MUST BE INSTALLED IN ACCORDANCE WITH THE APPLICABLE  
INSTALLATION CODE BY A PERSON FAMILIAR WITH THE CONSTRUCTION AND  
OPERATION OF THE PRODUCT AND HAZARDS INVOLVED



# Contents Included

 <p>Lighting Fixture</p>	 <p>Shade</p>	 <p>4x Wood Screw</p>	 <p>2x Phillips Screw</p>
		 <p>Light Bulb</p>	 <p>1/16 Hex Driver</p>

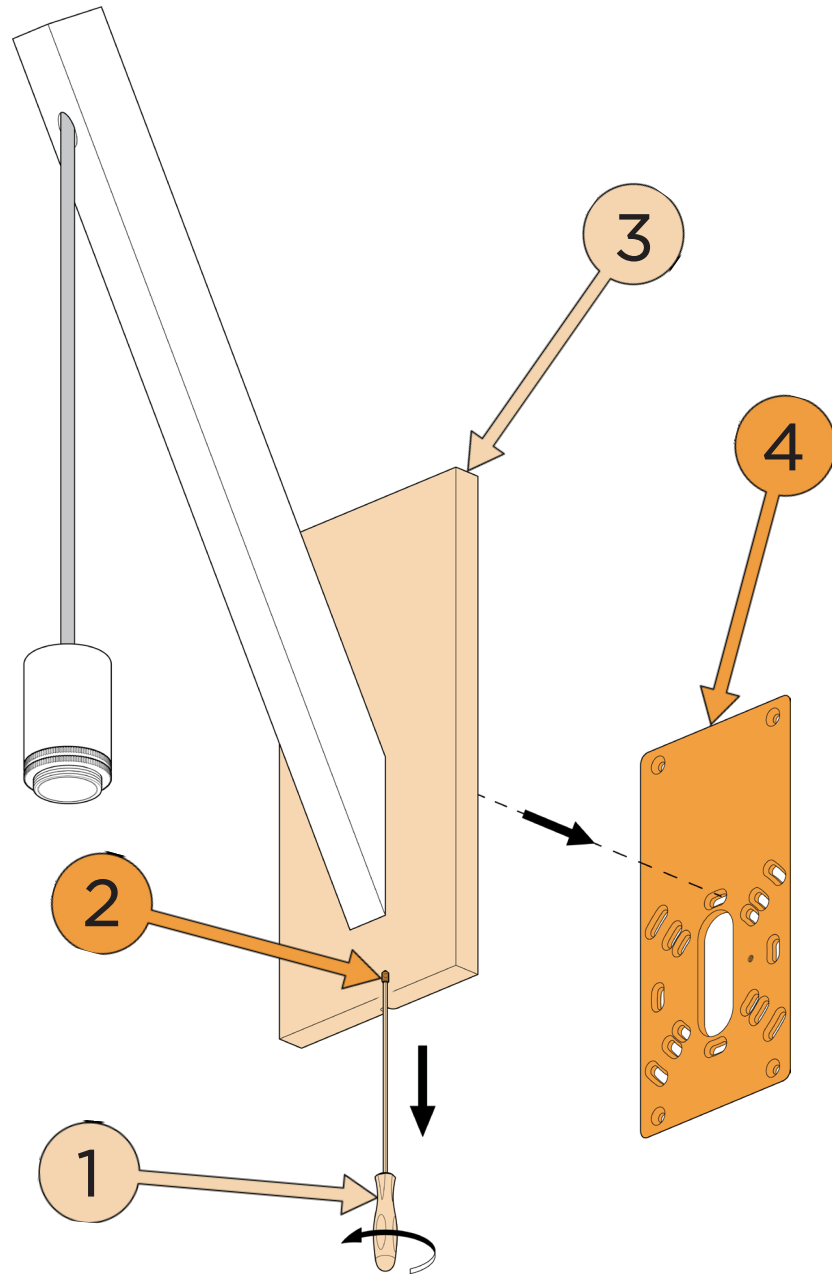
# 1

Using the provided hex driver ①

loosen the set screw ②

from the canopy ③

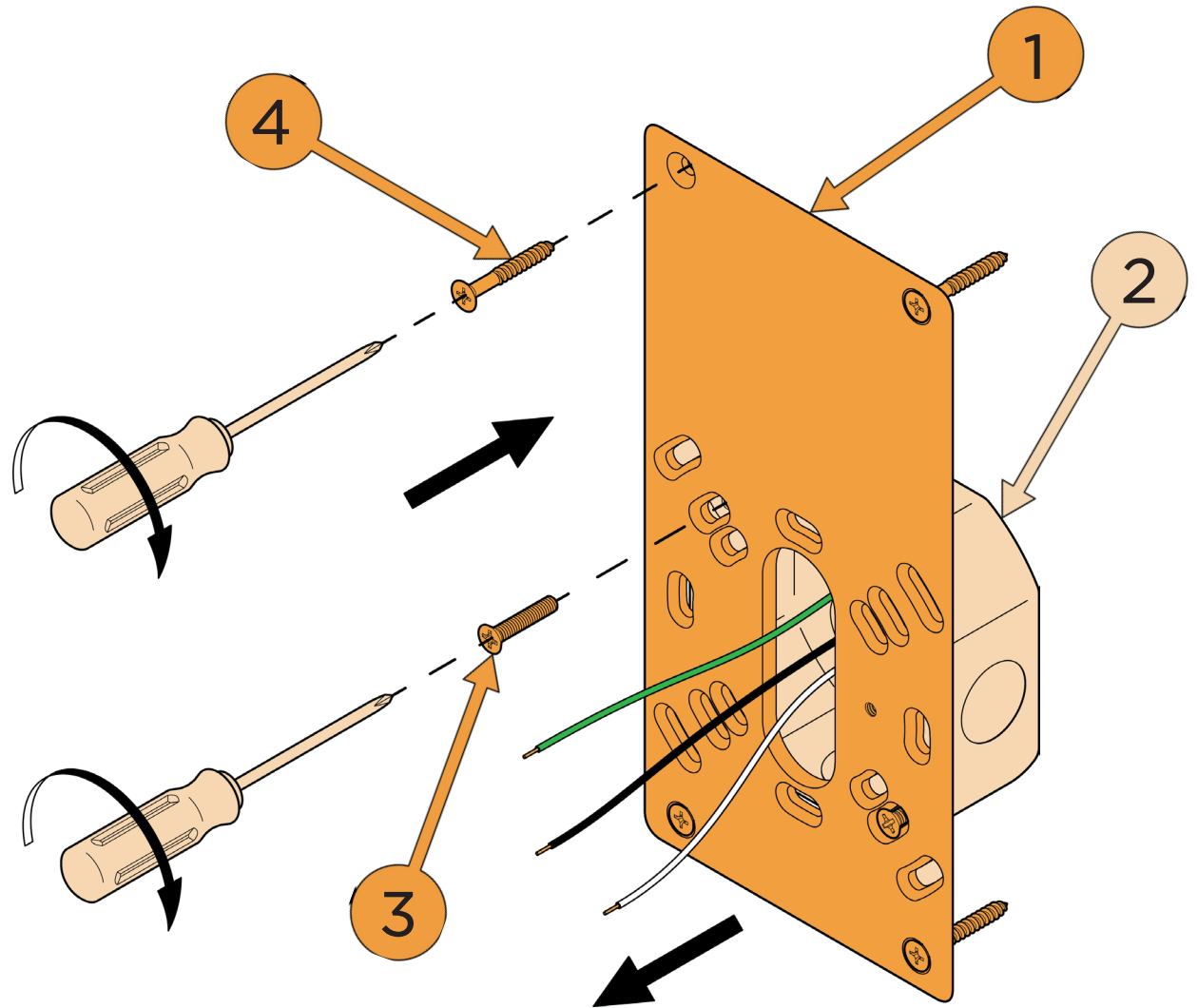
Remove the backplate ④



# 2

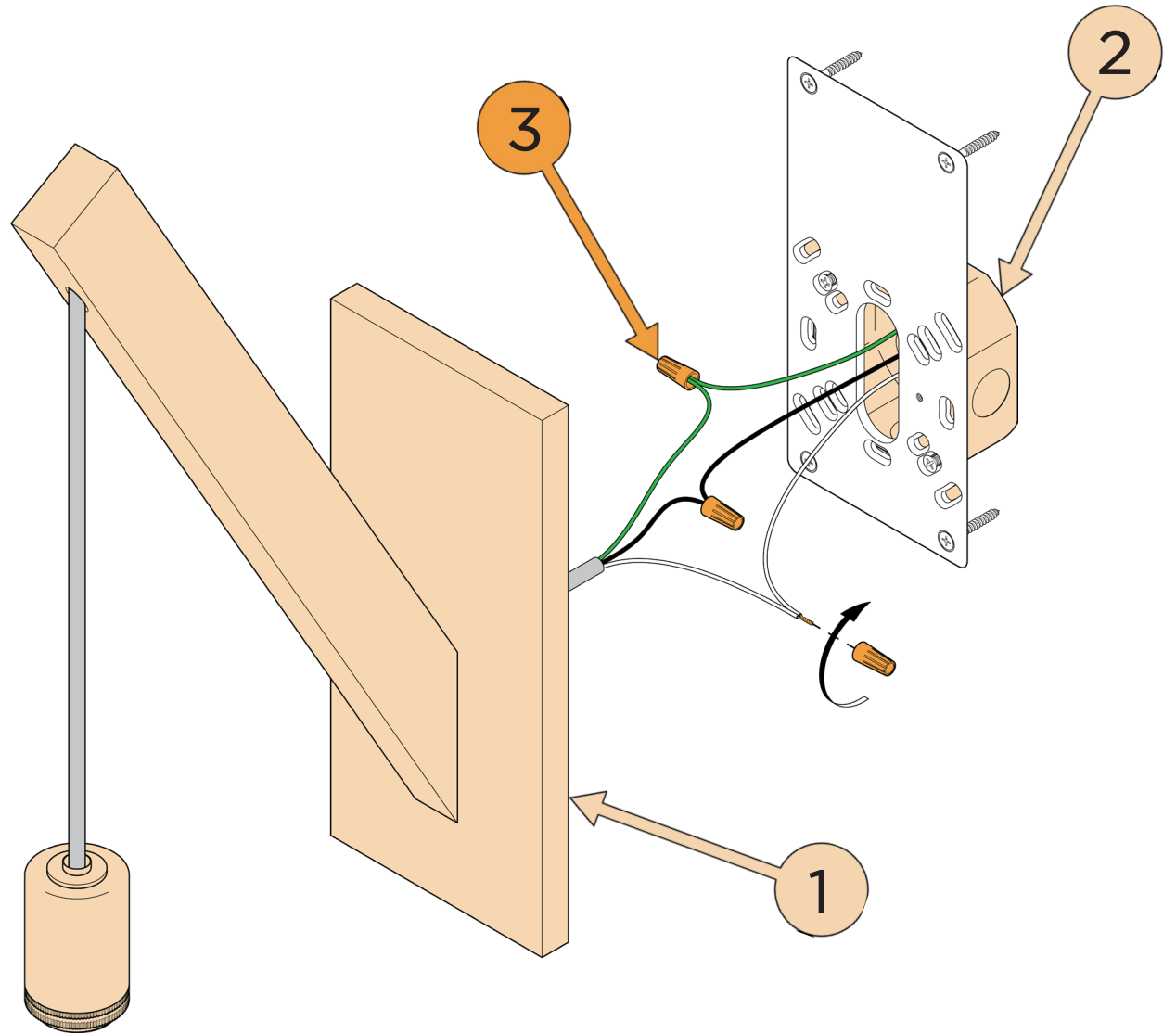
Mount the backplate ①  
onto the junction box ②  
using the provided phillips screws ③  
and onto the wall  
using the provided wood screws ④

Travel the wires  
from the junction box ②  
through the backplate ①



# 3

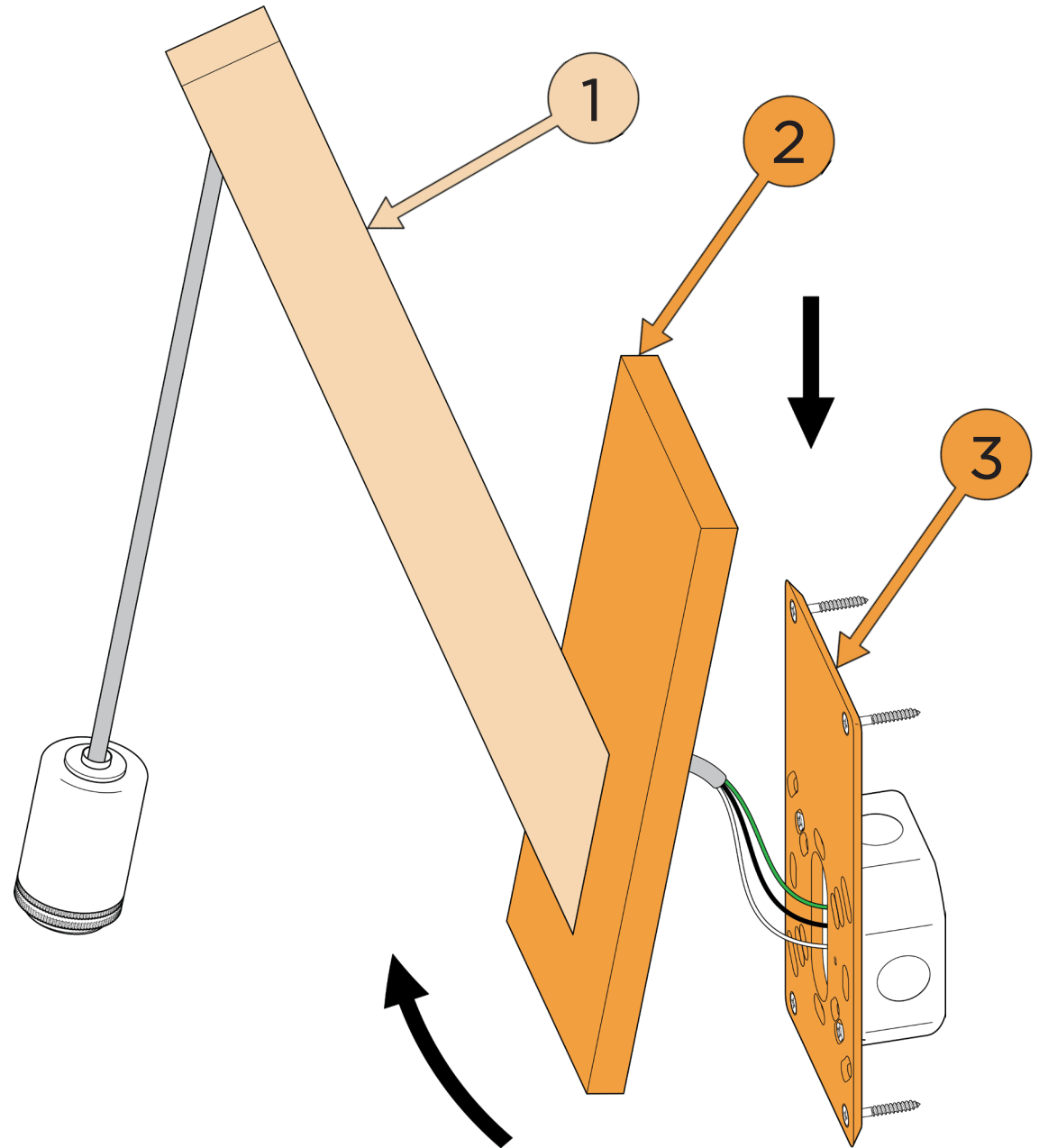
Connect the wires from the lighting fixture ① with the wires from the junction box ② using wire nuts ③



# 4

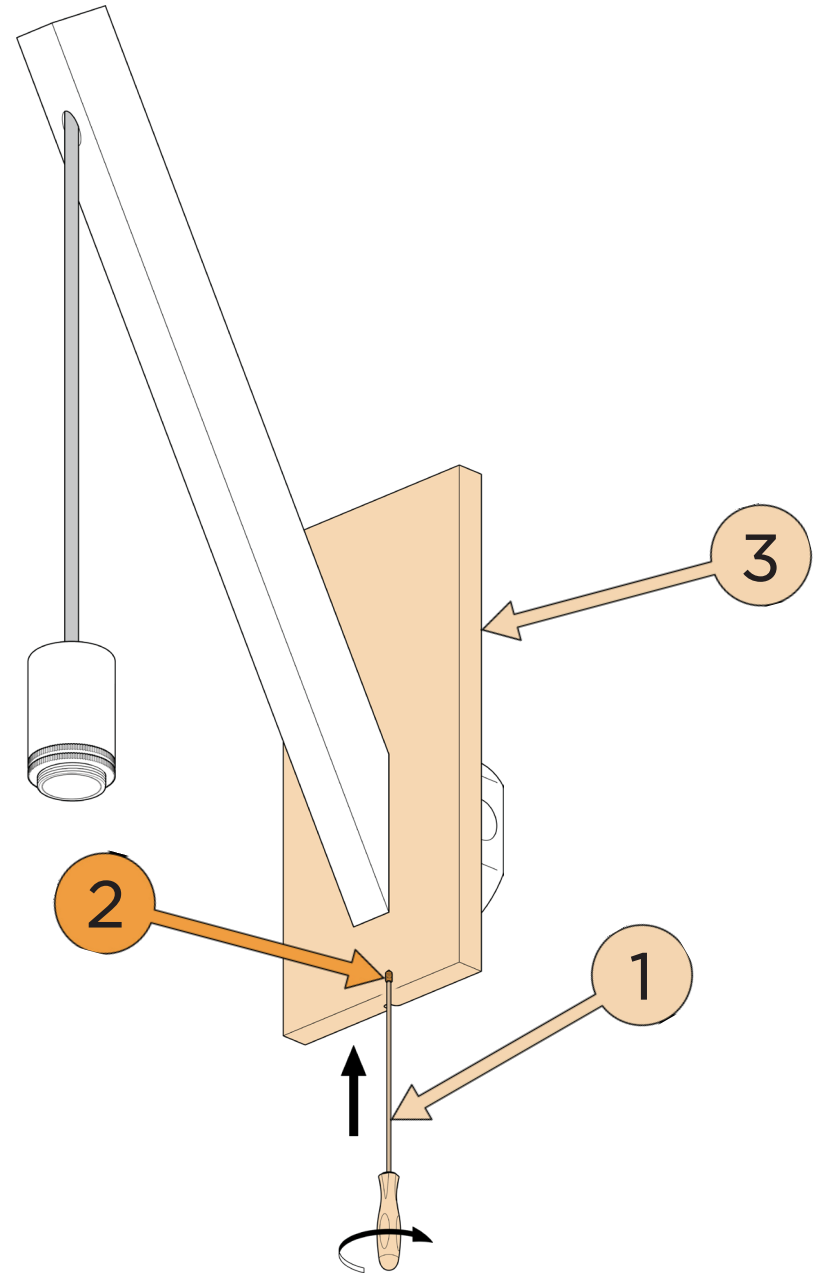
Tilt the lighting fixture ① to an upward angle and place the canopy ② over the backplate ③

Let the lighting fixture ① rest into place.



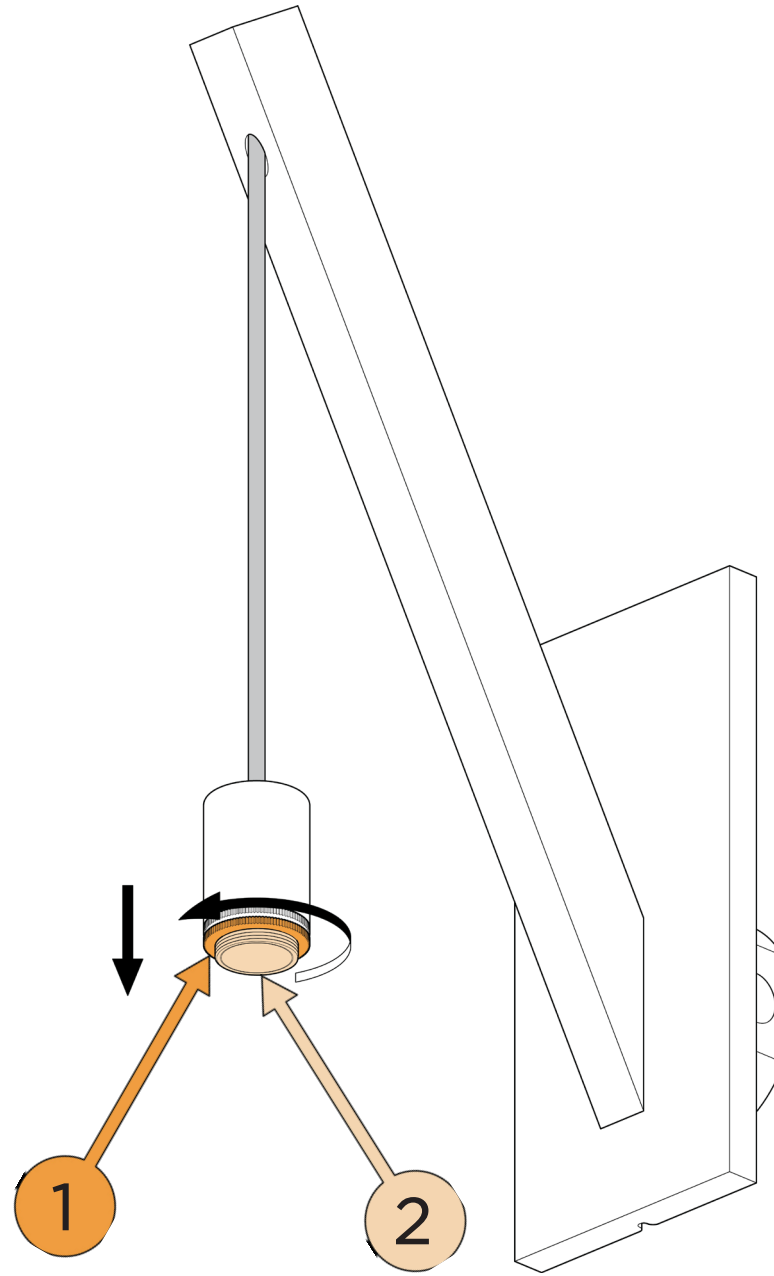
# 5

Using the **hex driver** ① tighten the **set screw** ② in the **canopy** ③ to secure the canopy ③ into place.



# 6

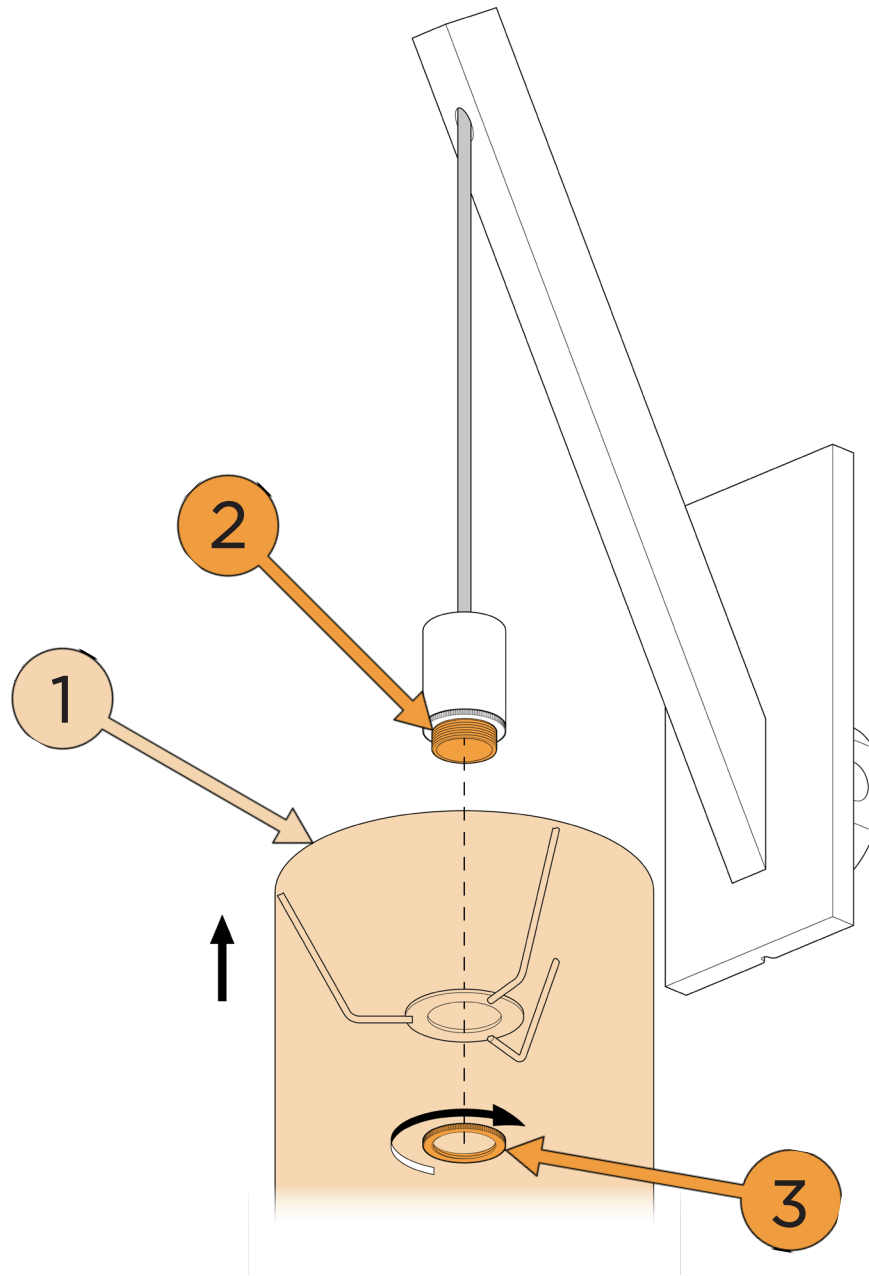
Remove the knurled ring ①  
from the fixture socket ②



# 7

Place the shade ①  
over the fixture socket ②  
and hold in place.

Screw the knurled ring ③  
onto the fixture socket ②  
to secure the shade ①  
into place.



# 8

Screw the light bulb ①  
into the fixture socket ②

