



ALLIED MAKER

MADE IN NEW YORK

# Mini Dome Pendant

Installation Guide

212-334-7333

[help@alliedmaker.com](mailto:help@alliedmaker.com)

**LIVING FINISHES**

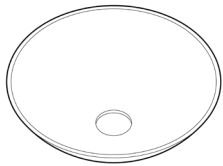
Wear Gloves!



THIS PRODUCT MUST BE INSTALLED IN ACCORDANCE WITH THE APPLICABLE  
INSTALLATION CODE BY A PERSON FAMILIAR WITH THE CONSTRUCTION AND  
OPERATION OF THE PRODUCT AND HAZARDS INVOLVED



# Contents Included



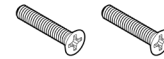
Shade



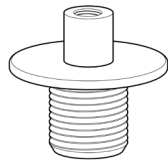
Glass



Light Bulb



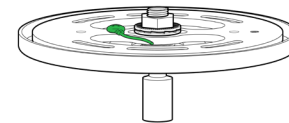
2x Phillips Screw



Lighting Fixture



Hang Tube

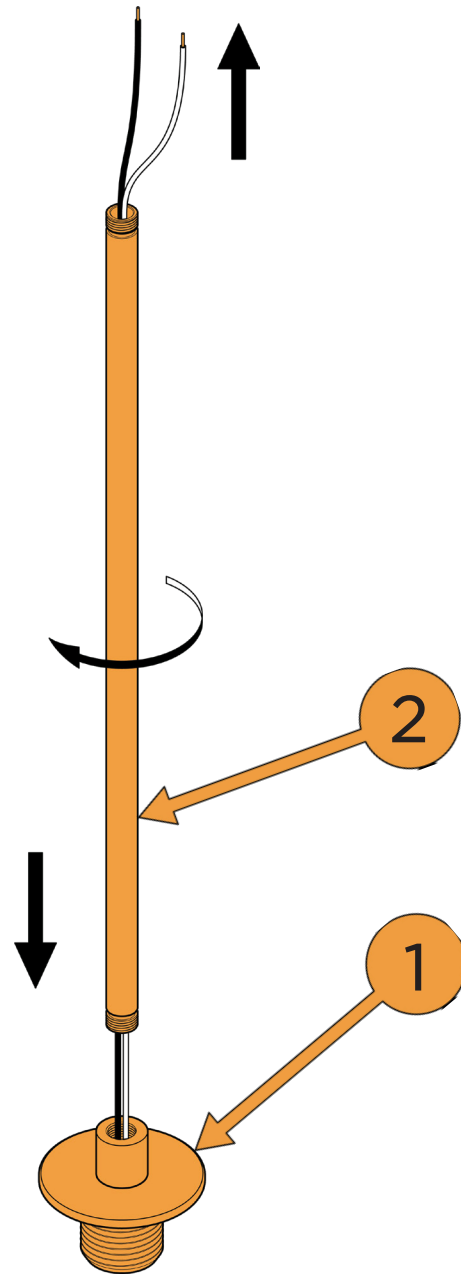


Canopy

# 1

Travel the wires from the lighting fixture ① through the hang tube ②

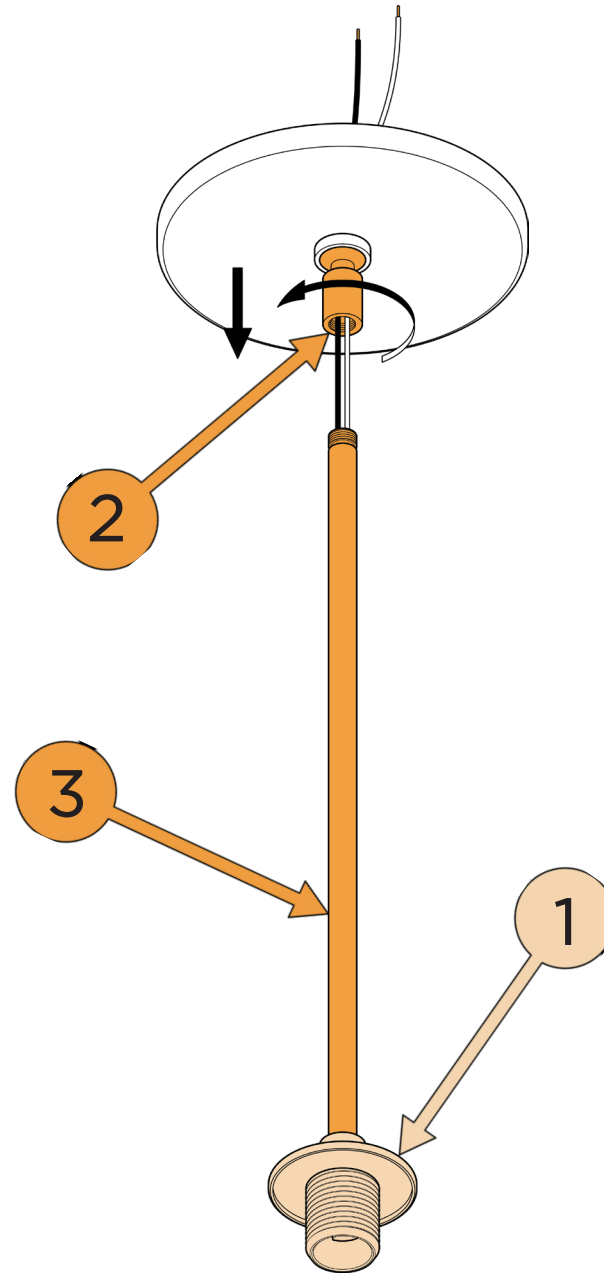
Screw the hang tube ② onto the lighting fixture ①



# 2

Travel the wires from the lighting fixture ① through the hang straight ②

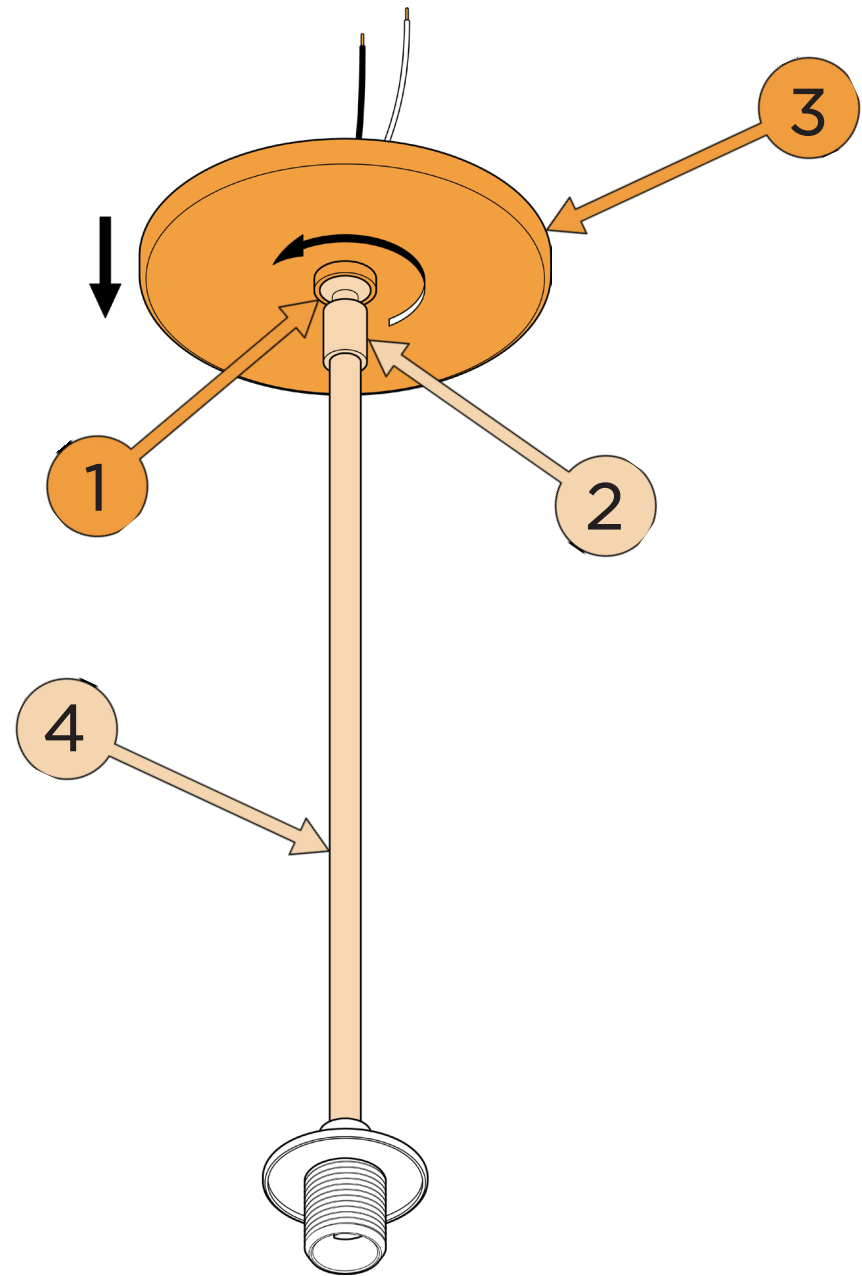
Screw the hang straight ② onto the the hang tube ③



# 3

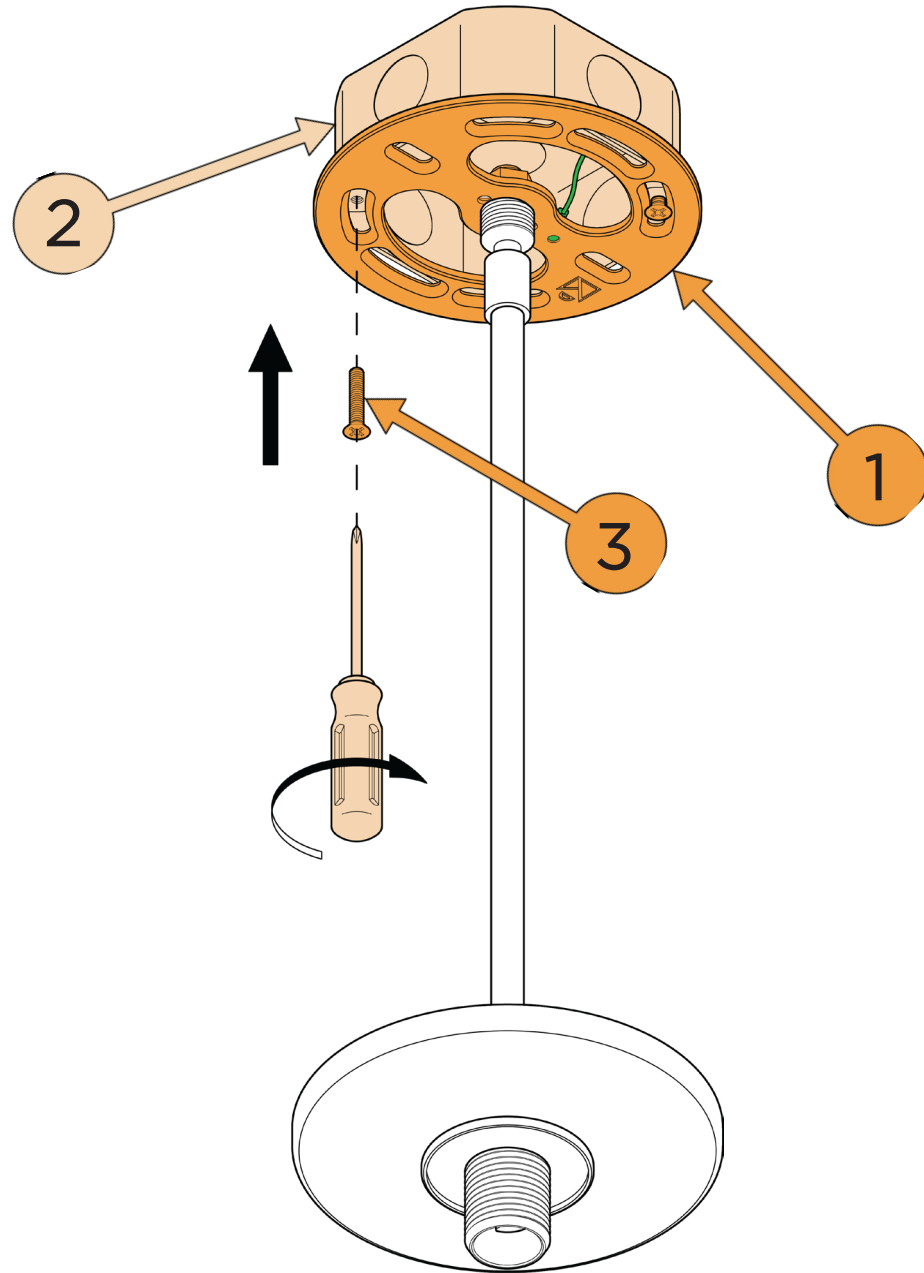
Unscrew the knurled ring ①  
from the hang straight ②

Carry the knurled ring ① and the  
canopy ③ down the hang tube ④



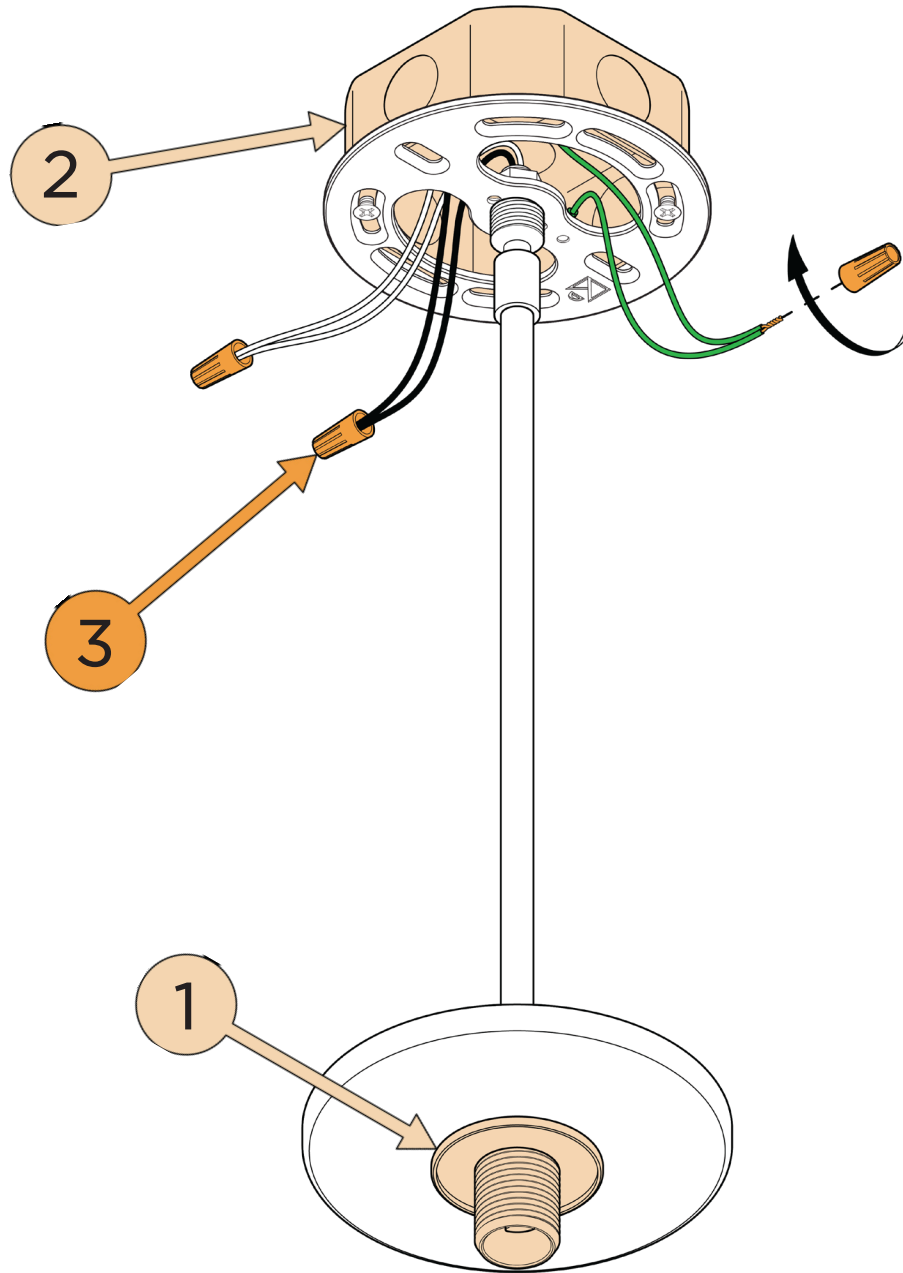
# 4

Mount the backplate ①  
onto the junction box ②  
using the provided phillips screws ③



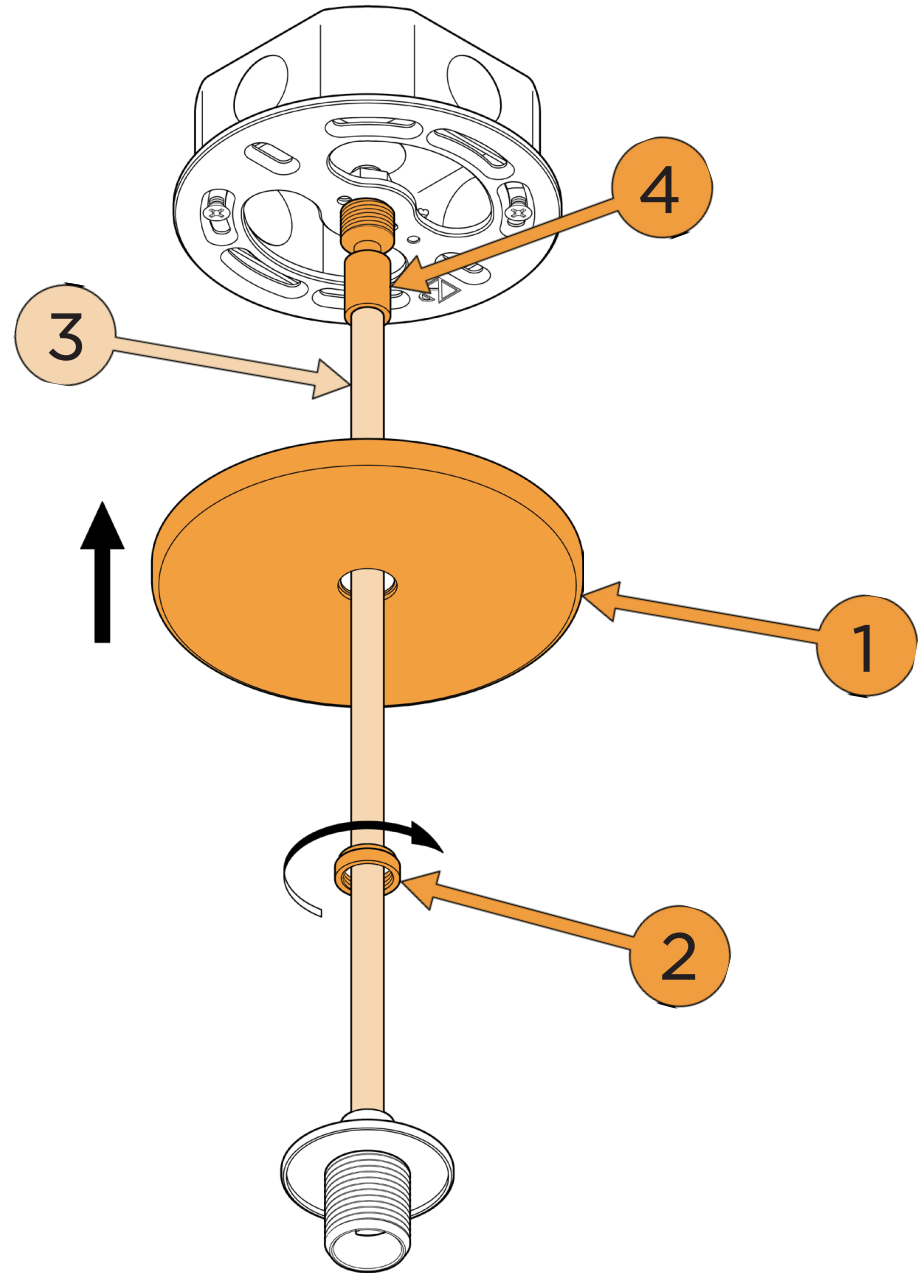
# 5

Connect the wires from the lighting fixture ① with the wires from the junction box ② using wire nuts ③



# 6

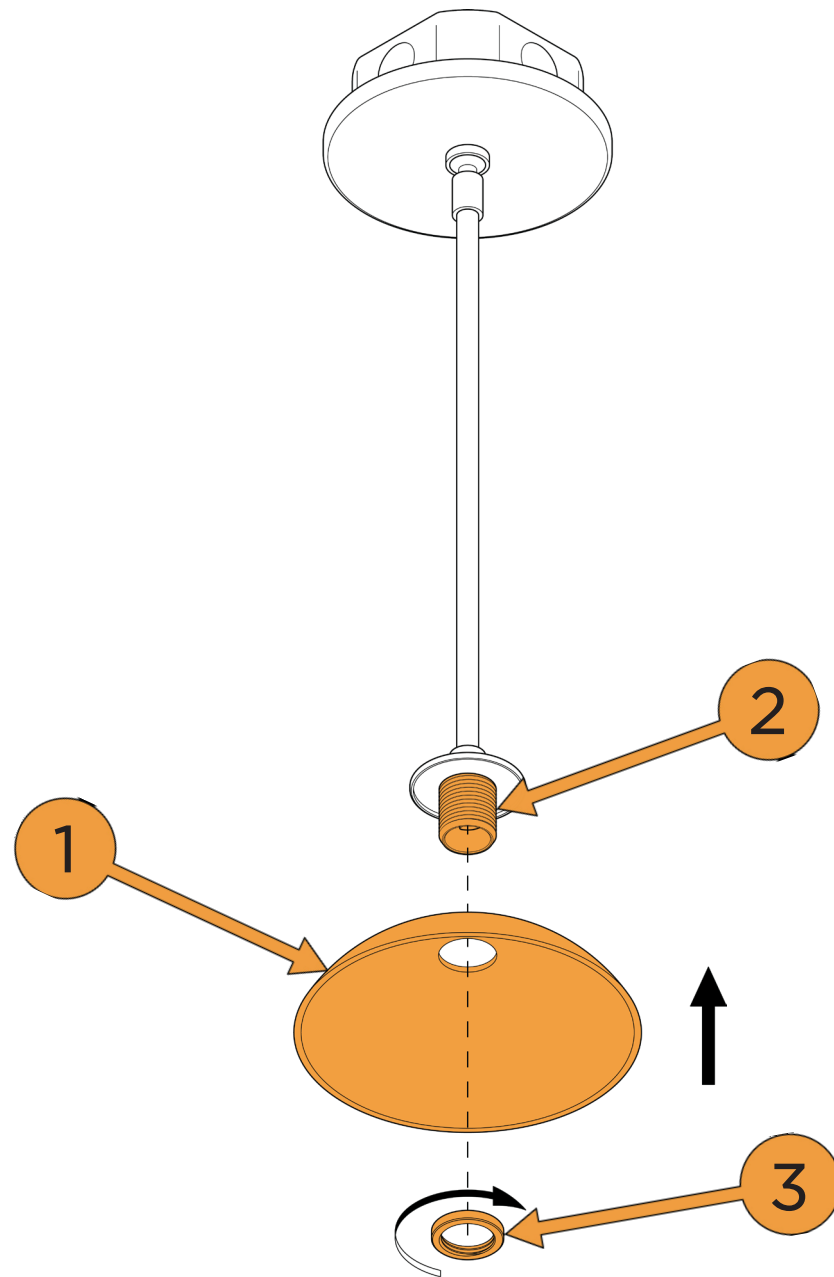
Carry the canopy ① and knurled ring ② up the hang tube ③ and screw the knurled ring ② onto the hang straight ④ to secure the canopy ① into place.



# 7

Place the shade ①  
over the socket cover ②  
and hold in place.

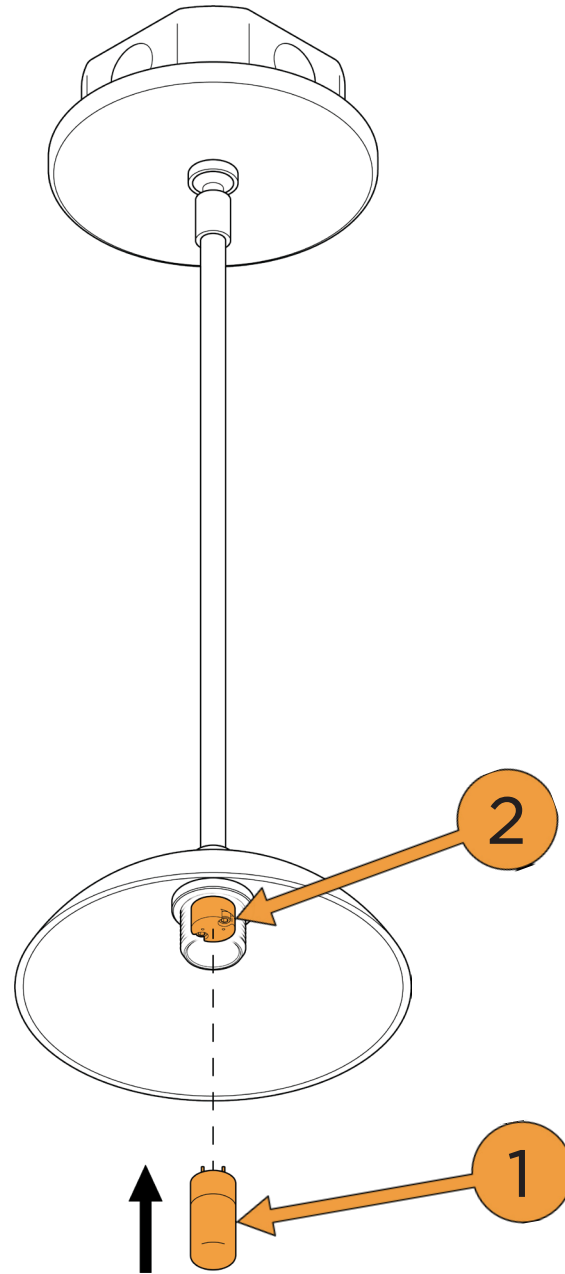
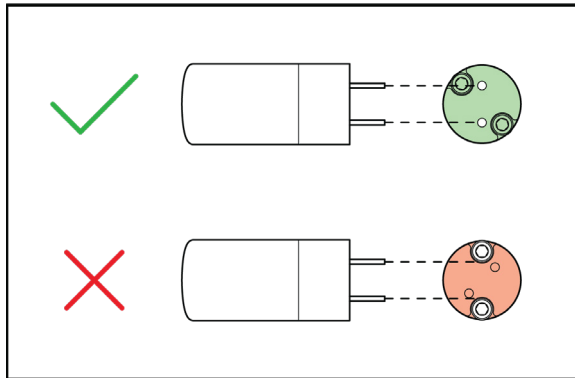
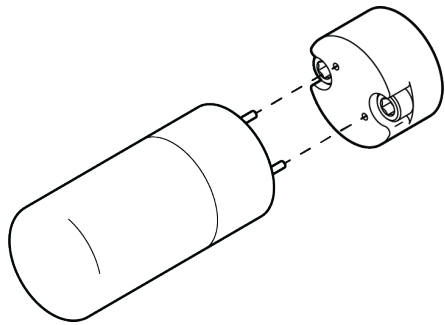
Screw the lock ring ③  
onto the socket cover ②  
to secure the shade ①  
into place.



# 8

Insert the light bulb ①  
into the fixture socket ②

**CRITICAL:** Align pins with  
pin holes, then push in.



# 9

Screw the glass ①  
onto the socket cover ②

**CAUTION:** Align threads properly  
for a smooth rotation before  
twisting to avoid jamming.  
**Do not overtighten the glass.**

