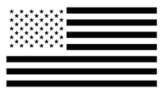




Aria 12" Flush Globe

INSTALLATION GUIDE



HANDMADE
IN U.S.A.



WEAR GLOVES
DURING INSTALL

FRAGILE FINISHES

DANGER: ELECTRIC SHOCK RISK. TURN OFF ELECTRICAL POWER BEFORE BEGINNING INSTALLATION AND USE CAUTION WHEN INSTALLING.

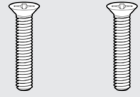


+1 212 334 7333

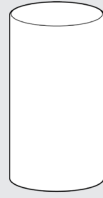
www.alliedmaker.com • sales@alliedmaker.com



1



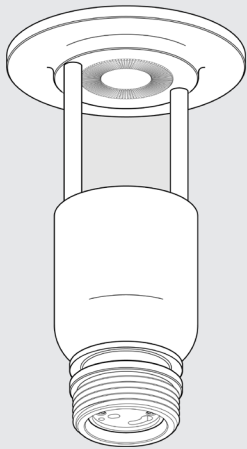
2x Machine Screw



Acrylic Rod



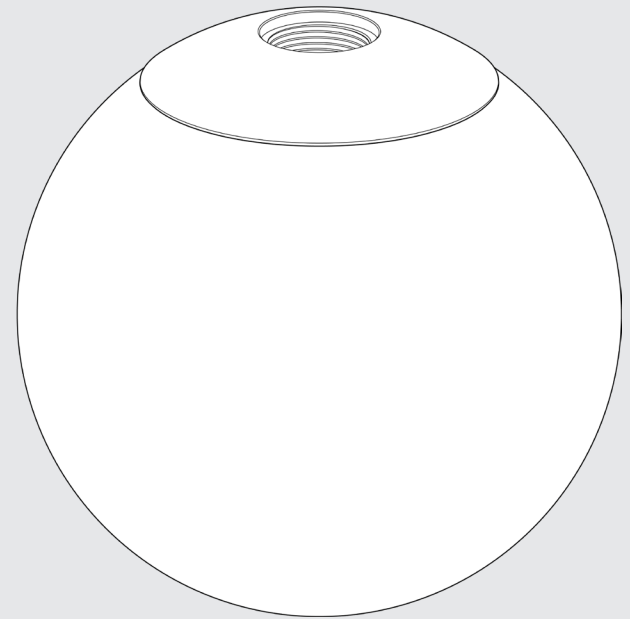
Inspect Contents



Fixture



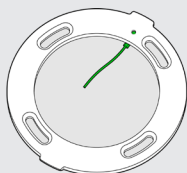
Light Bulb



Glass



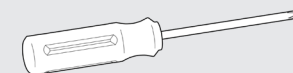
Terminology



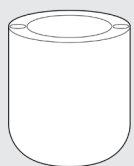
Universal Backplate



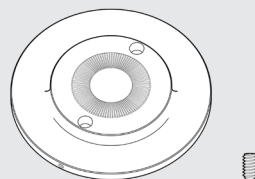
1/16 Hex Screwdriver



Phillips Screwdriver
(Not Included)



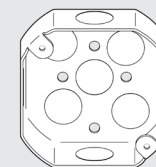
Socket Body



Canopy
&
Set Screw



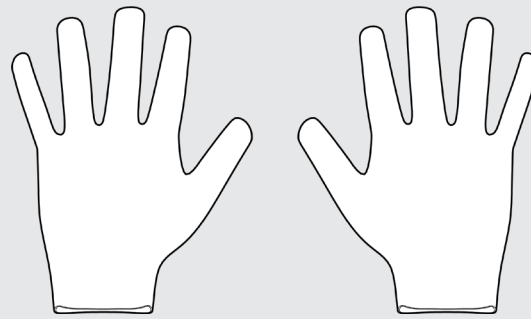
Fixture Socket
&
Socket Cover



Junction Box
(Not Included)

3

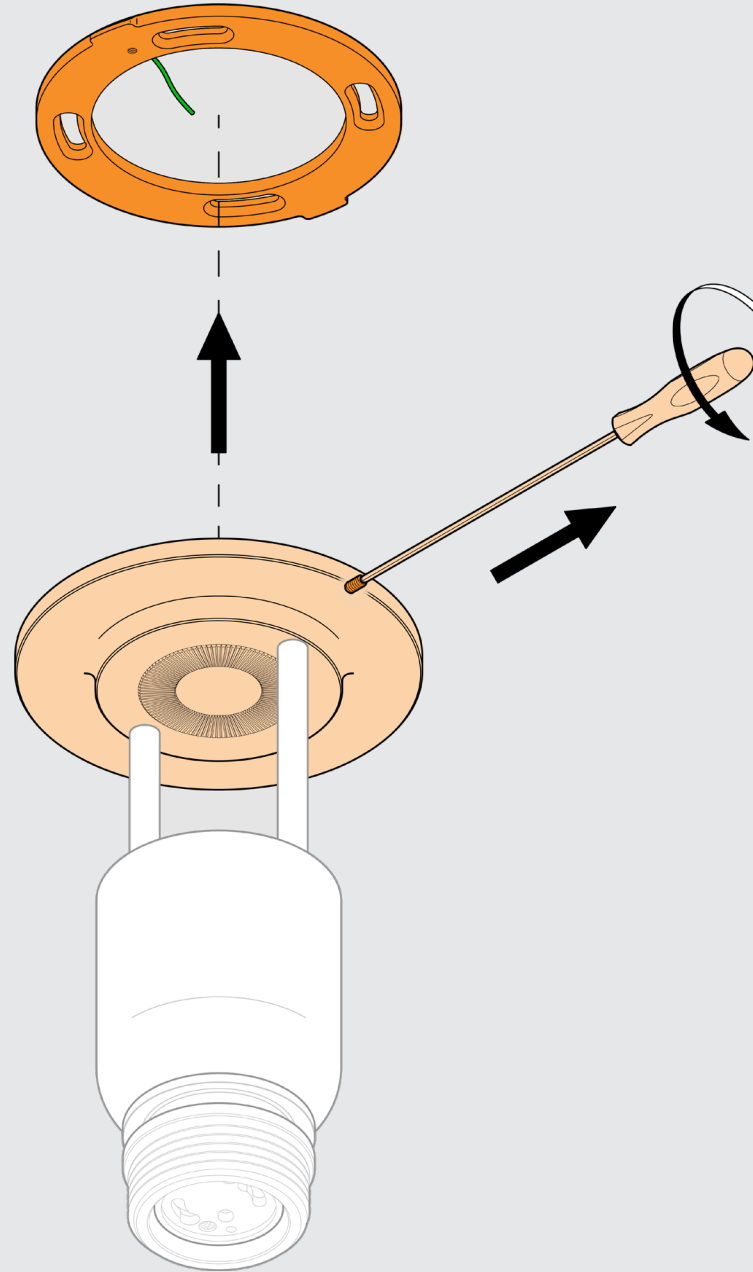
—
Preparation



Nitrile Gloves

4

Using a hex screwdriver, loosen the set screw on the canopy and remove the universal backplate.

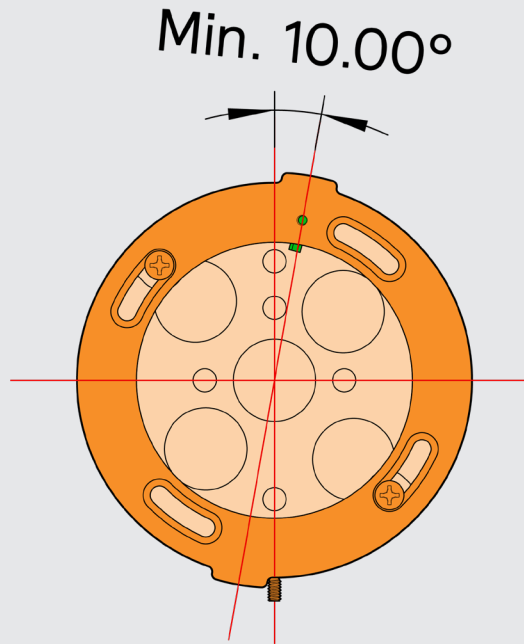


5

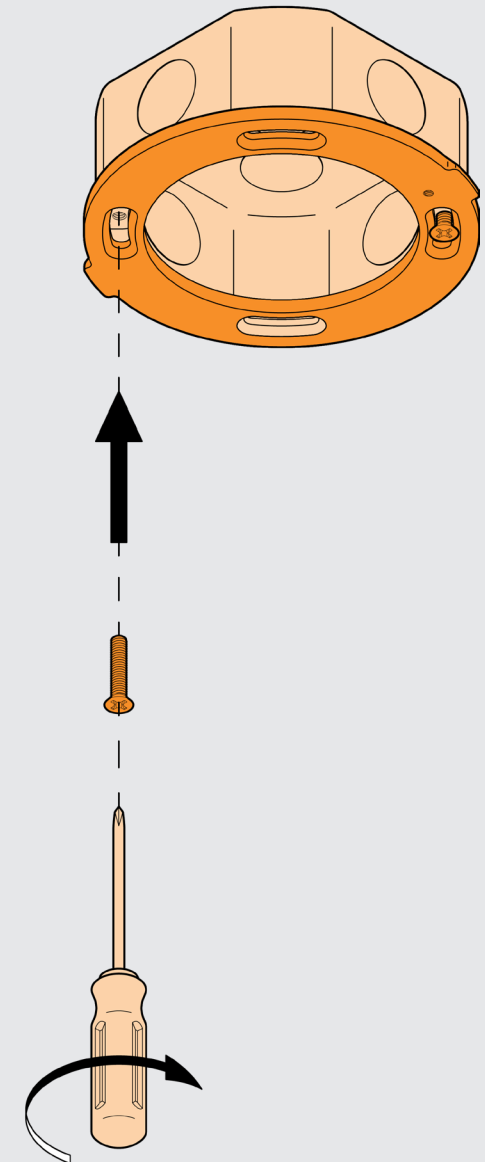
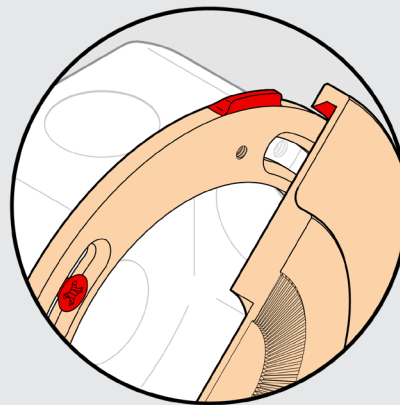
Mount the universal backplate onto the junction box using the provided machine screws.

NOTE: Make sure the two tabs on the universal backplate are rotated to a minimum of 10° from the desired mounting position. This will ensure the set screw has enough space to fully secure the canopy and universal backplate into place.

CAUTION: Do not overtighten the machine screws. Overtightening will prevent the two tabs on the universal backplate from engaging with the channel inside the canopy.

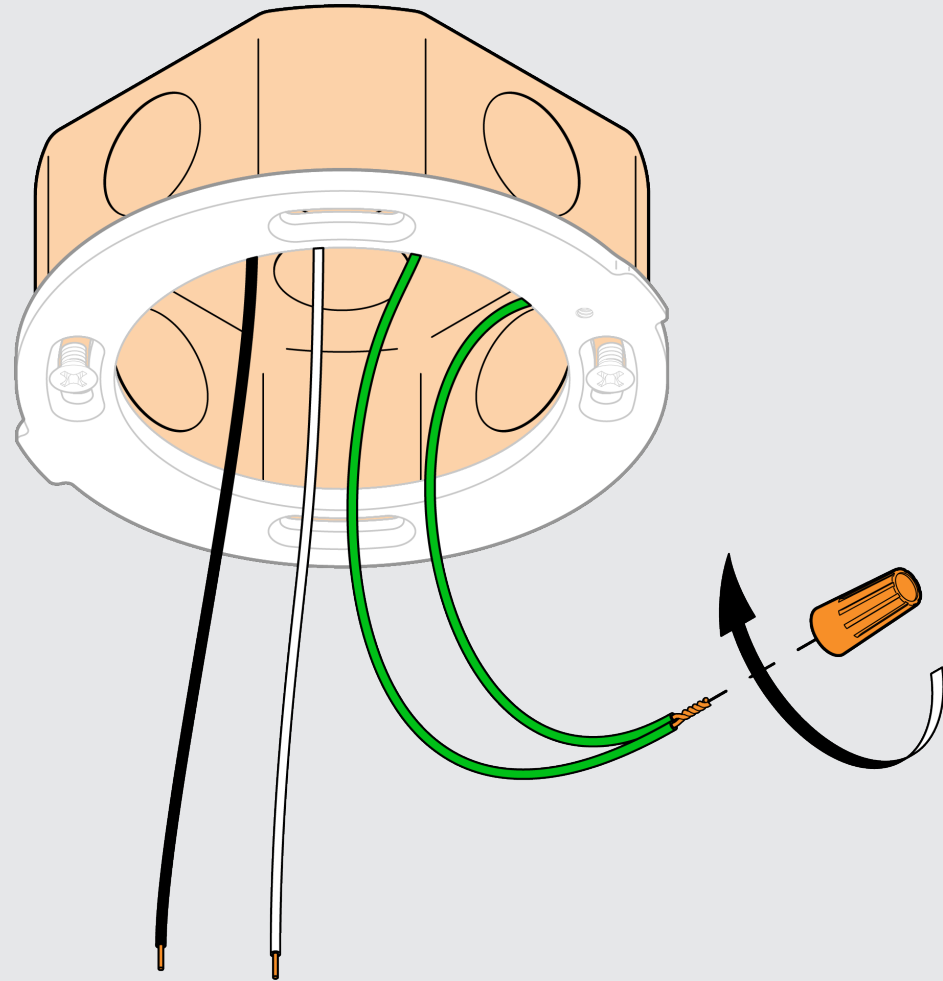


Do Not Overtighten
Machine Screws



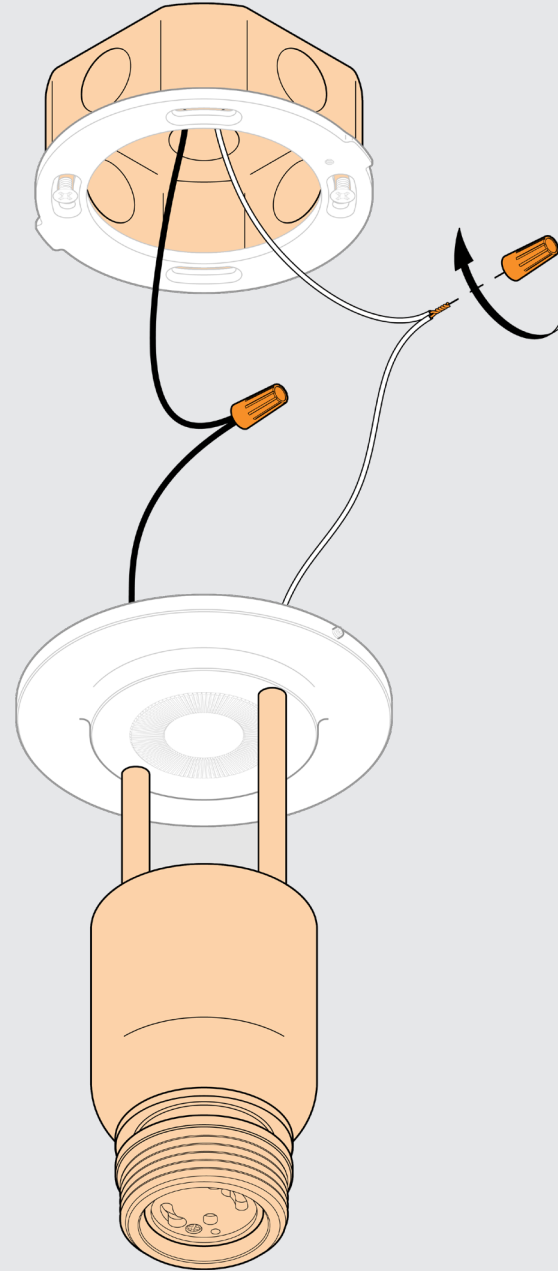
6

Connect the ground wire from the universal backplate to the ground wire from the junction box using a wire nut.



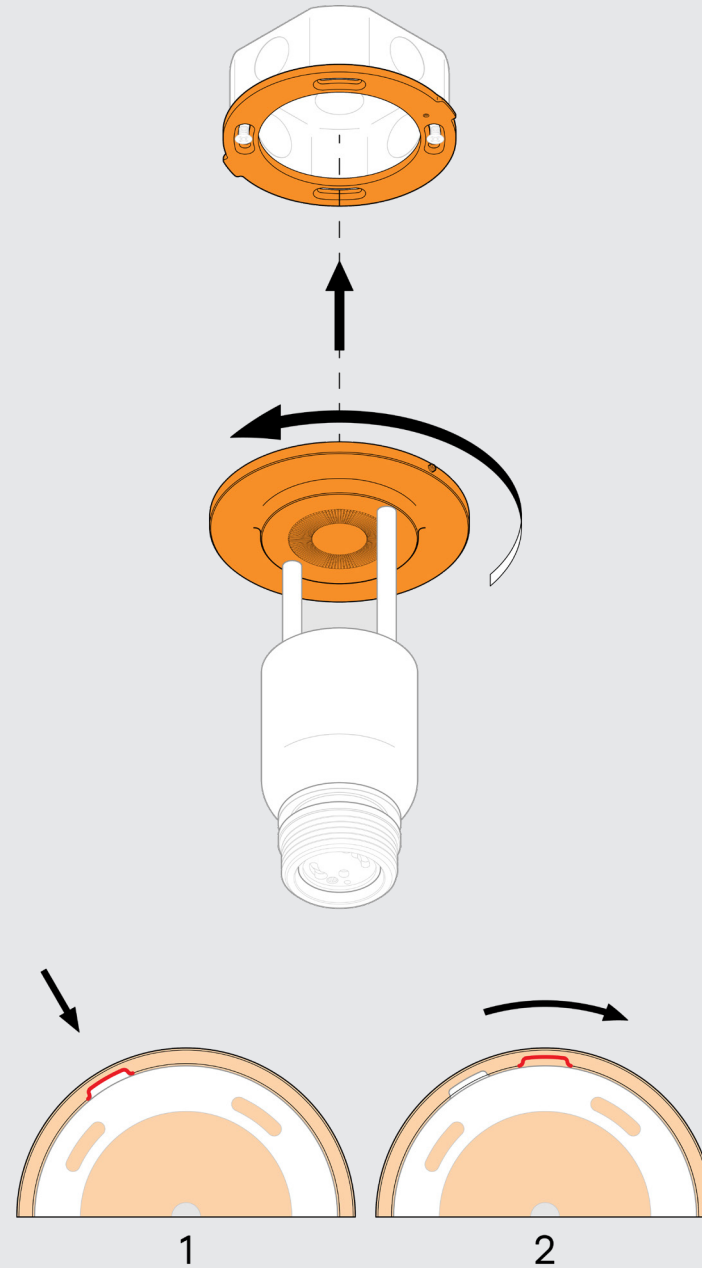
7

Connect the wires from the fixture to the wires from the junction box using wire nuts.



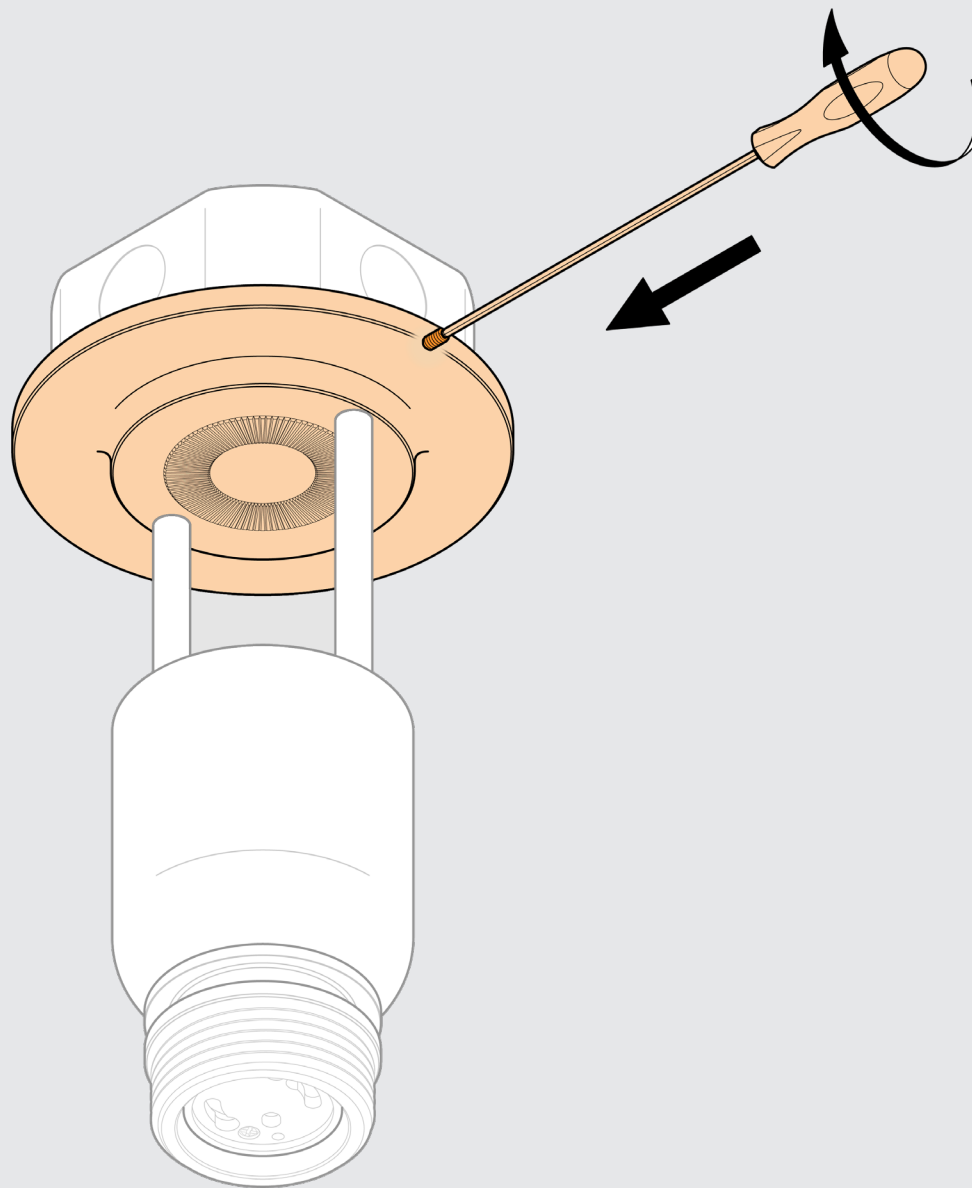
8

Align the tabs on the universal backplate with the tab openings on the canopy. Then, place the fixture canopy over the universal backplate and rotate the fixture to the desired position.



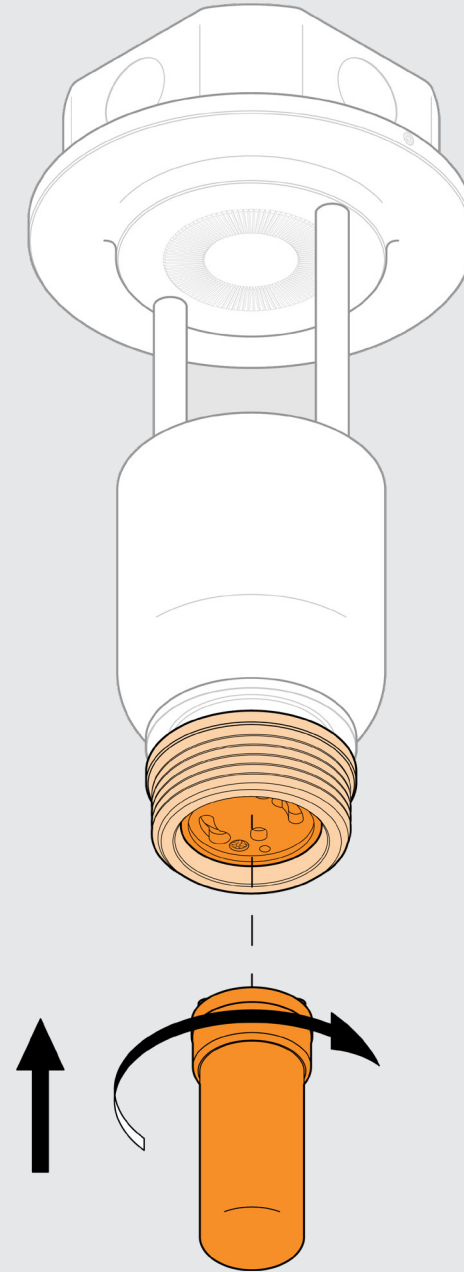
9

Using a hex screwdriver, tighten the set screw on the canopy to secure the fixture into place.



10

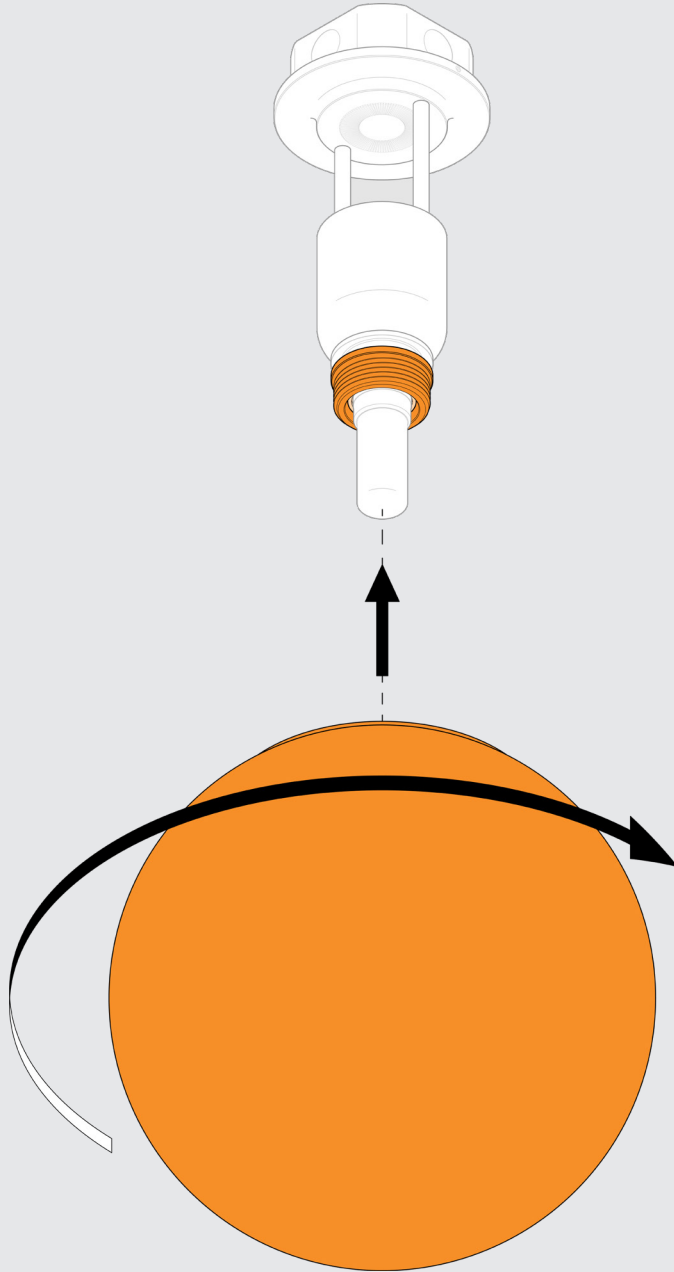
—
Insert the light bulb
into the fixture socket.



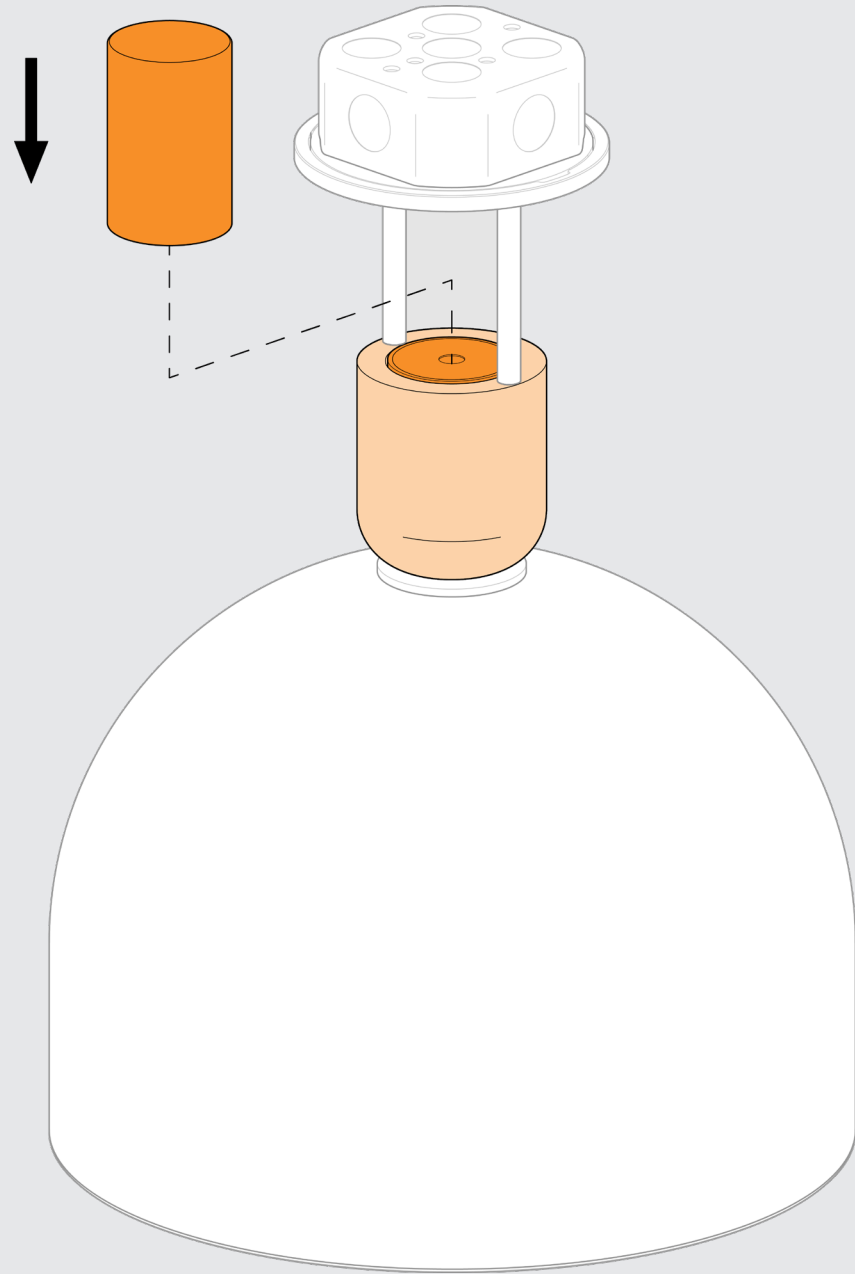
11

Screw the glass onto the socket cover.

CAUTION: Align threads properly for a smooth rotation before twisting to avoid jamming. **Do not overtighten the glass.**



12



Place the acrylic rod over
the light bulb inside the
socket body.