



ALLIED MAKER

MADE IN NEW YORK

## Brass T2

Installation Guide

212-334-7333

[help@alliedmaker.com](mailto:help@alliedmaker.com)

**LIVING FINISHES**

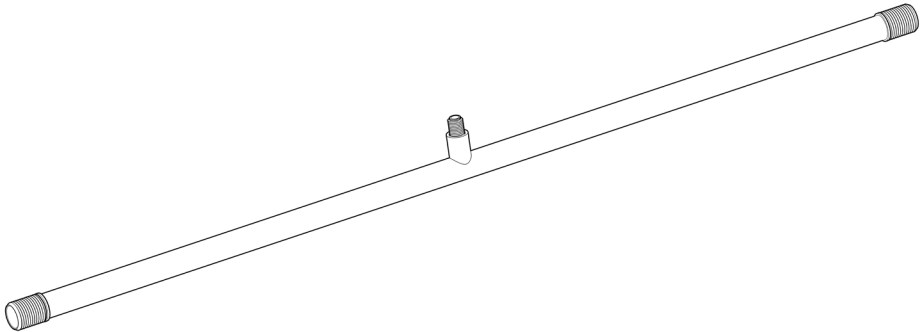

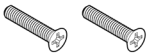
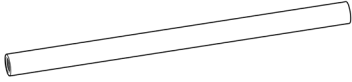
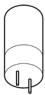

Wear Gloves!



THIS PRODUCT MUST BE INSTALLED IN ACCORDANCE WITH THE APPLICABLE  
INSTALLATION CODE BY A PERSON FAMILIAR WITH THE CONSTRUCTION AND  
OPERATION OF THE PRODUCT AND HAZARDS INVOLVED



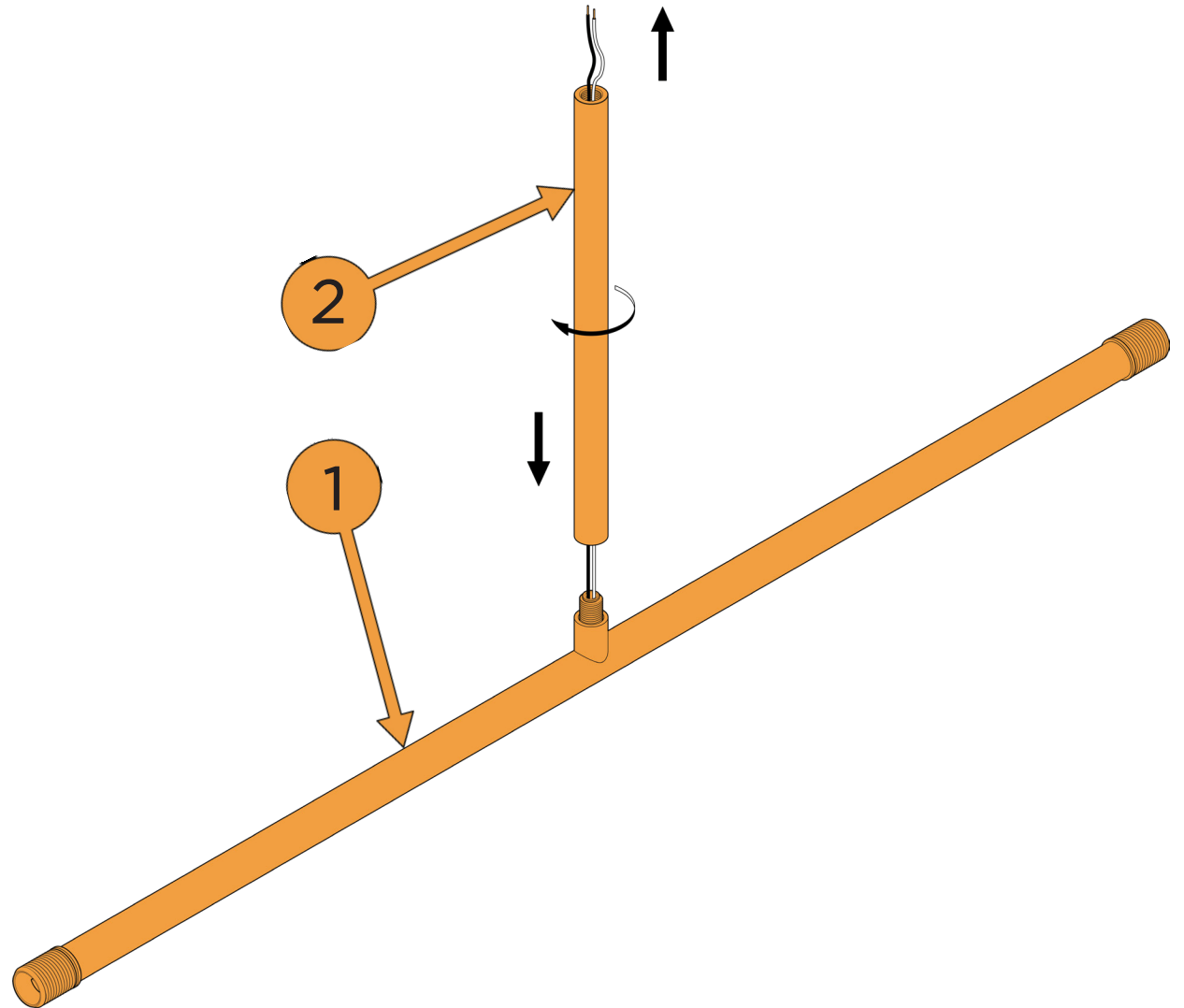
# Contents Included

 <p>Lighting Fixture</p>	 <p>Canopy</p>	 <p>2x Philips Screw</p>
	 <p>Hang Tube</p>	 <p>2x Light Bulb</p>
		 <p>2x Glass</p>

# 1

Travel the wires from the lighting fixture ① through the hang tube ②

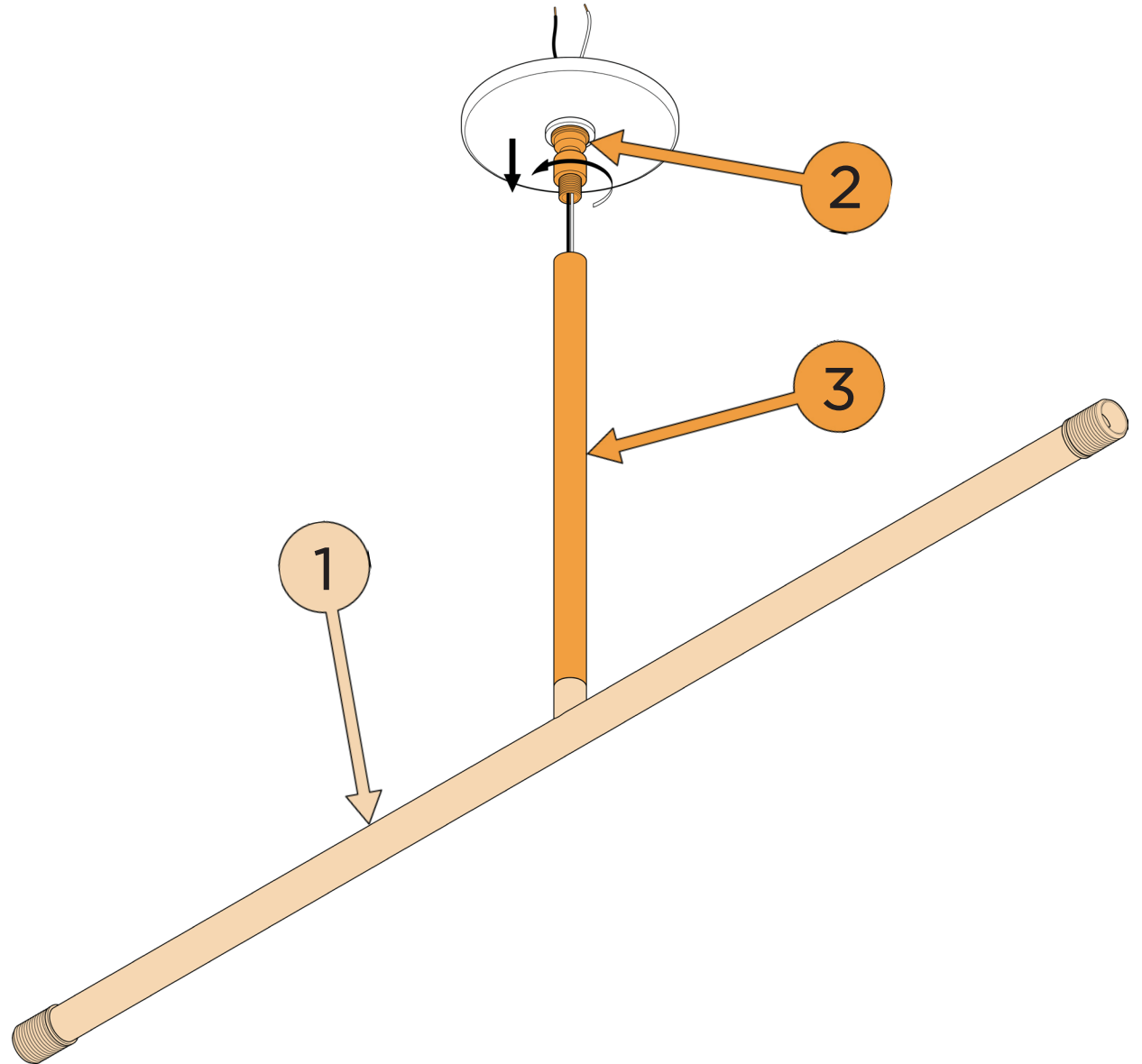
Screw the hang tube ② onto the lighting fixture ①



# 2

Travel the wires from the lighting fixture ① through the hang straight ②

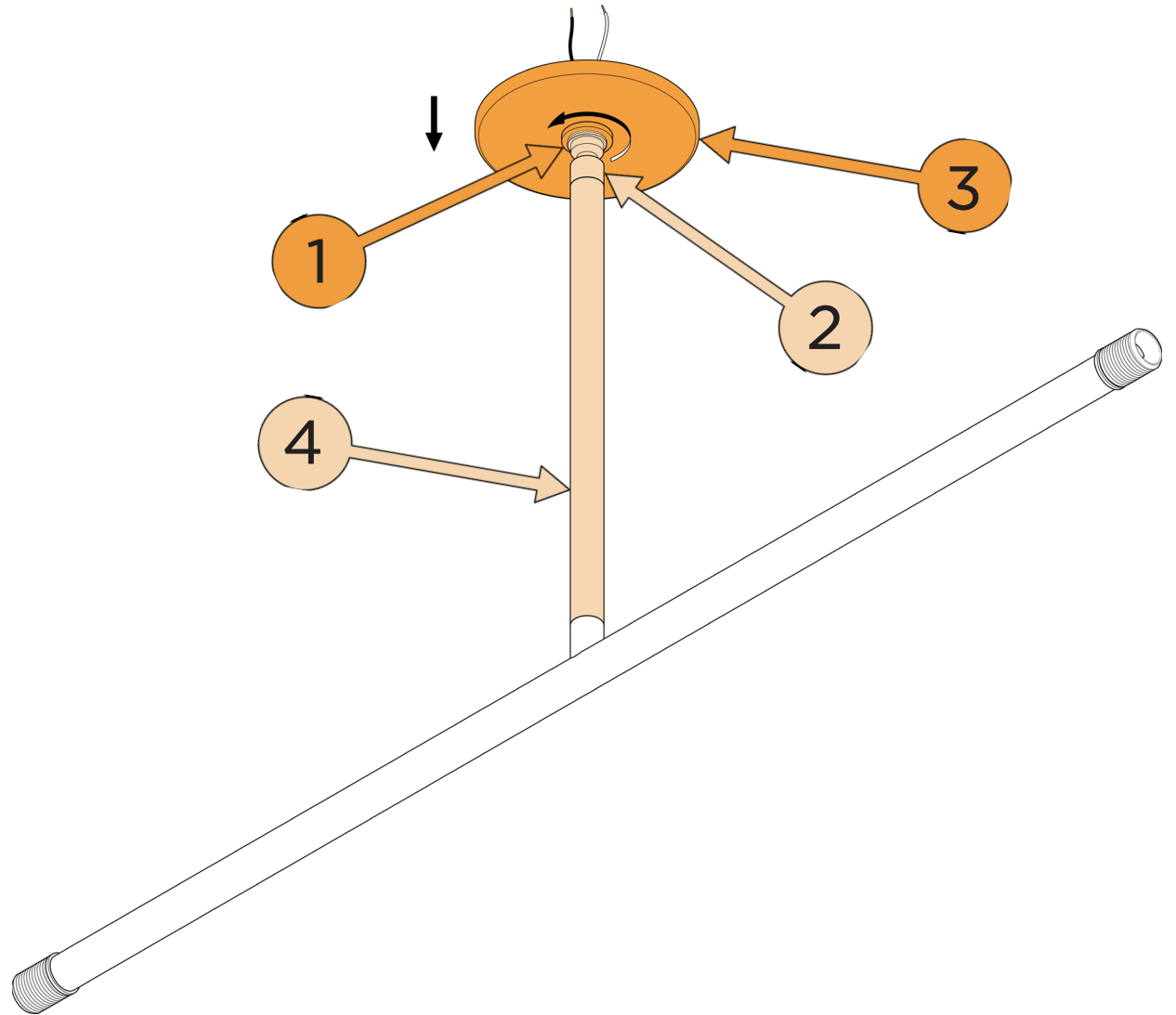
Screw the hang straight ② onto the hang tube ③



# 3

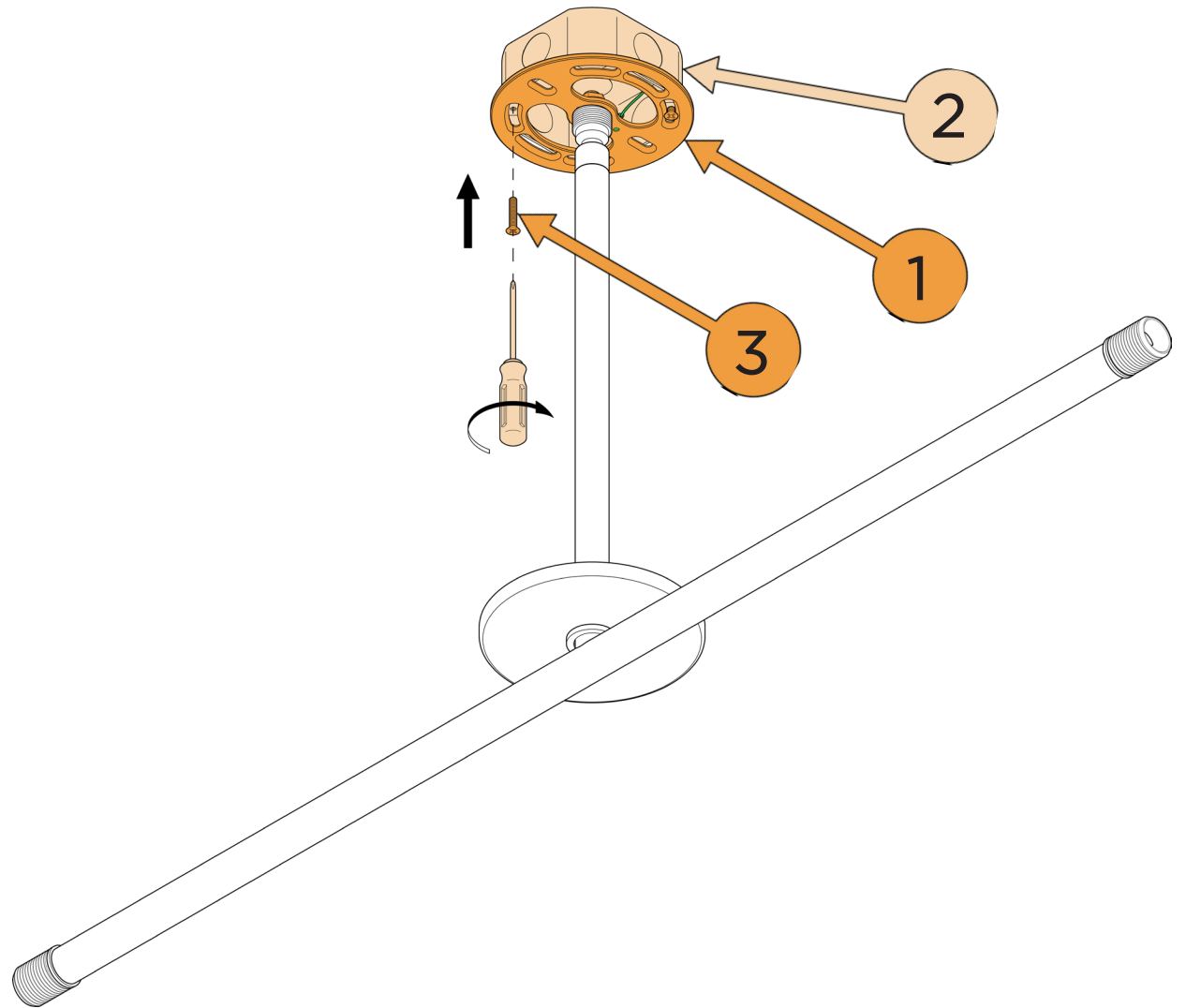
Unscrew the knurled ring ①  
from the hang straight ②

Carry the knurled ring ① and the  
canopy ③ down the hang tube ④



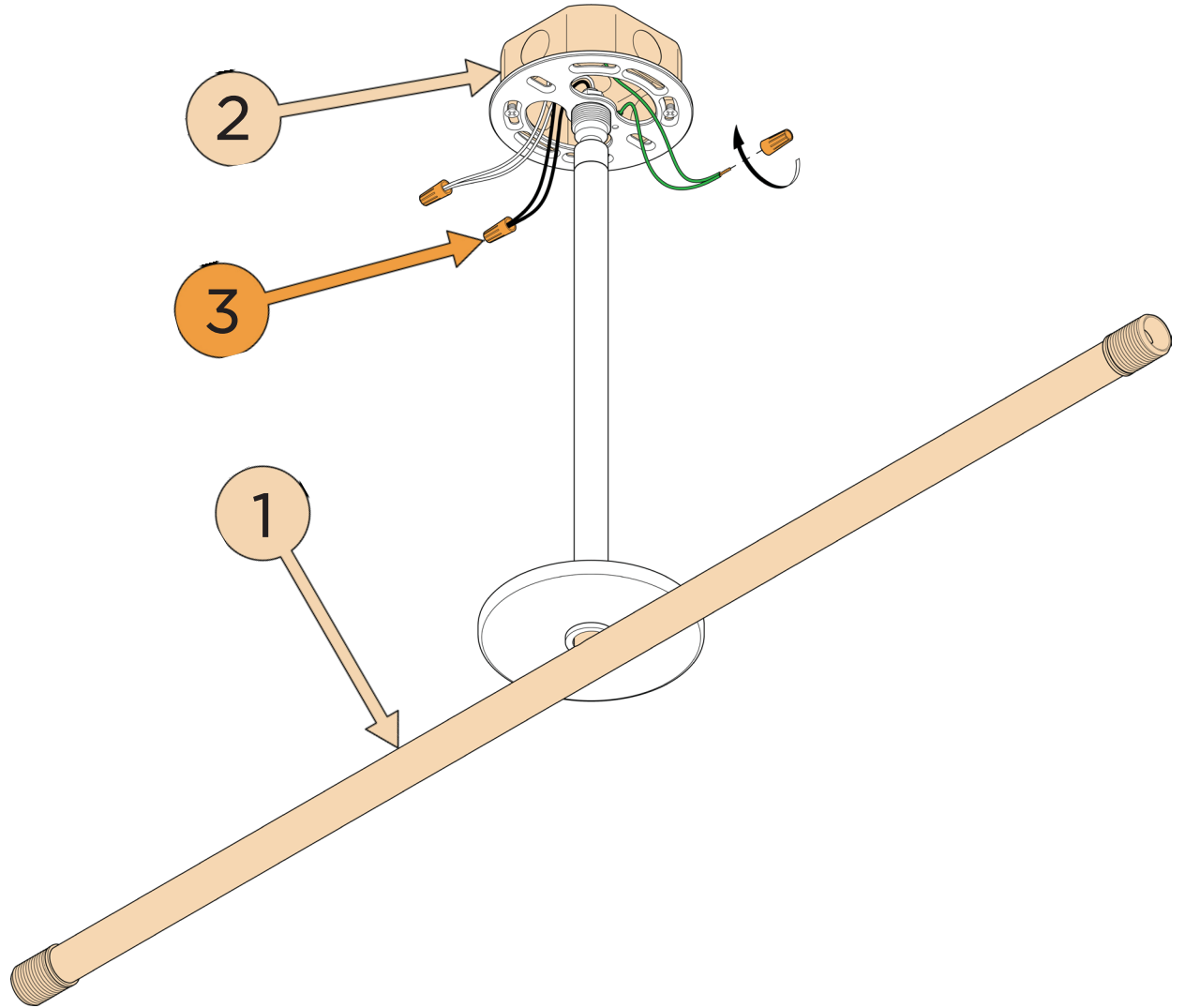
# 4

Mount the backplate ①  
onto the junction box ②  
using the provided philips screws ③



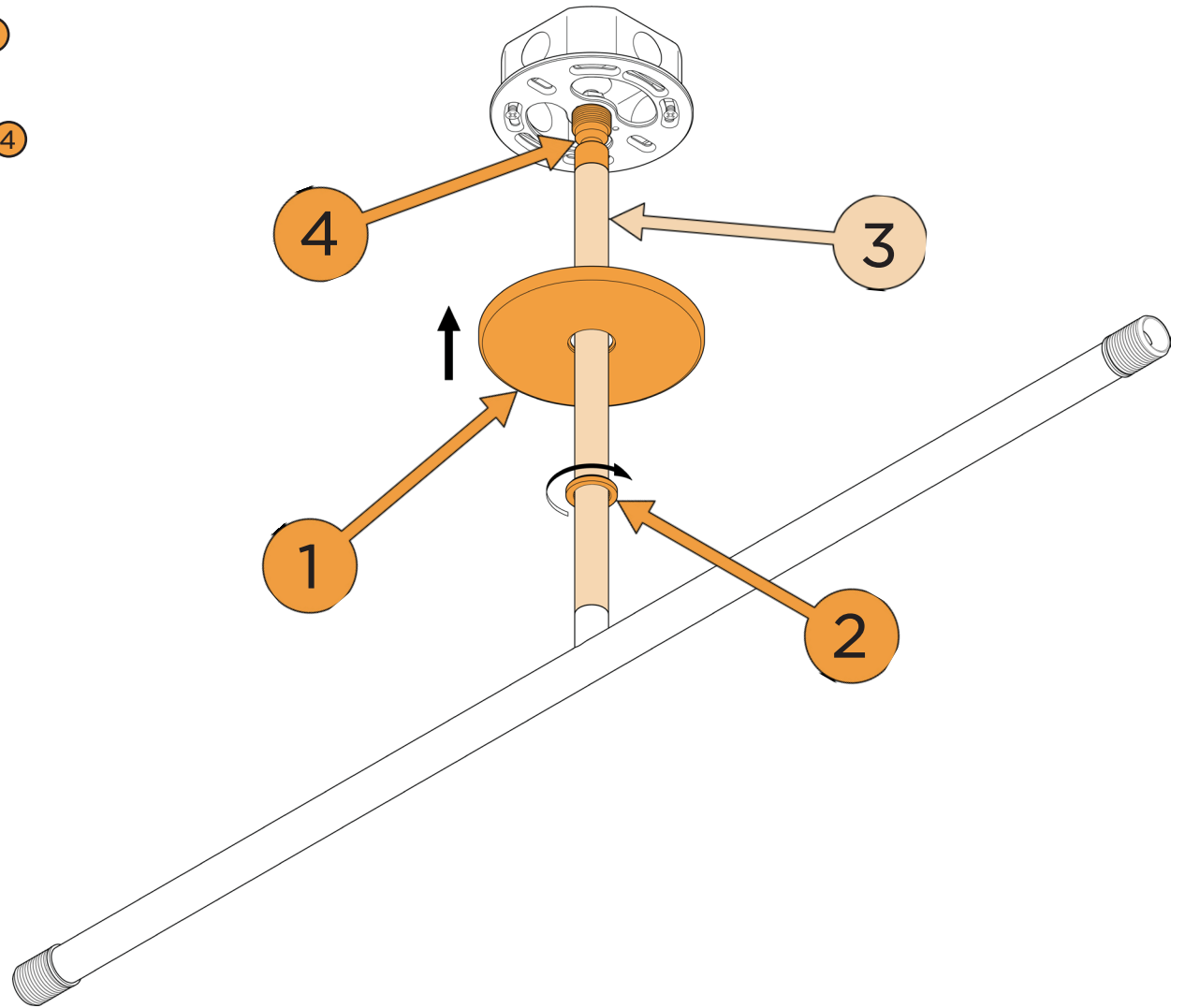
# 5

Connect the wires from the lighting fixture ① with the wires from the junction box ② using wire nuts ③



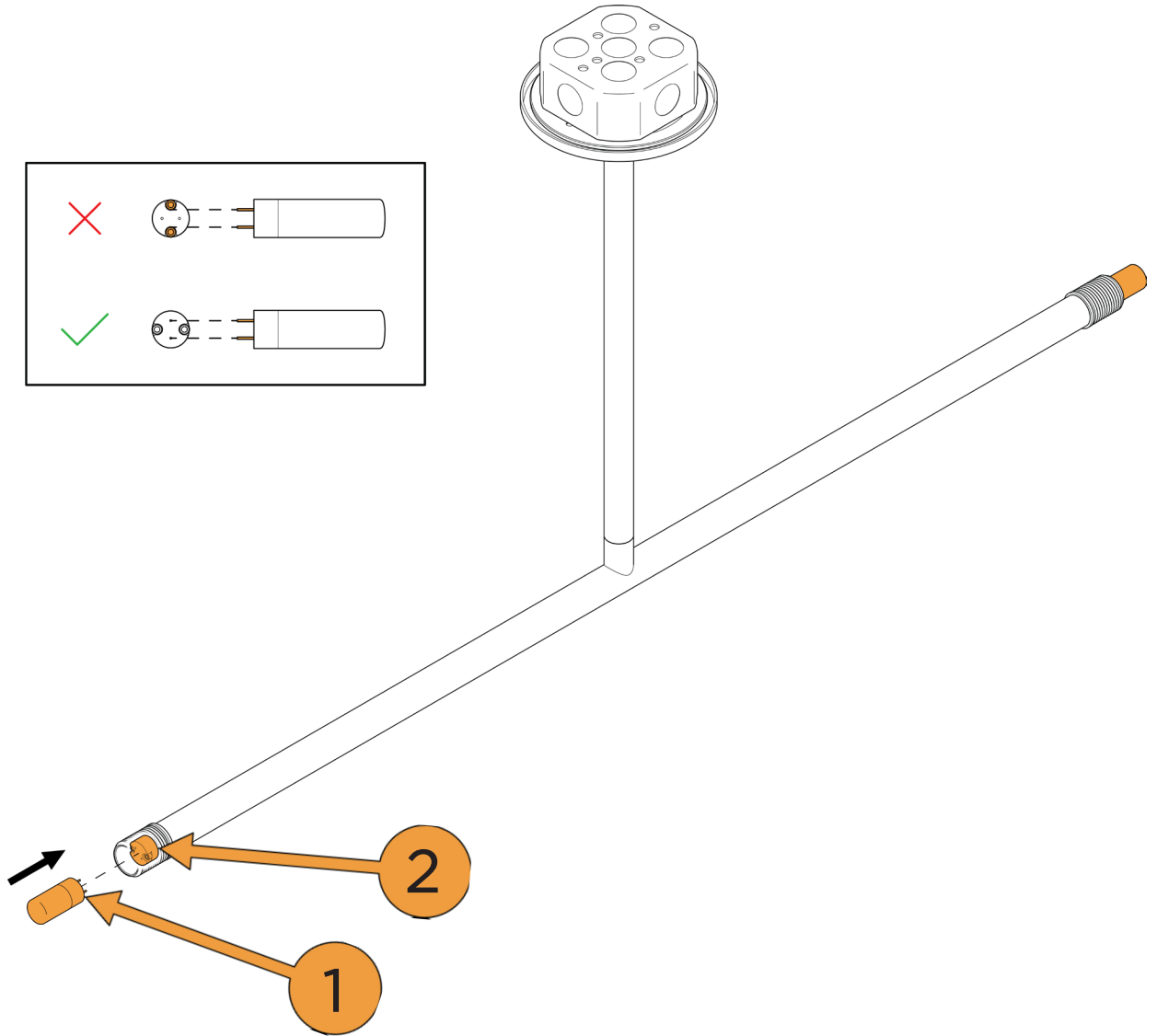
# 6

Carry the canopy ① and knurled ring ② up the hang tube ③ and screw the knurled ring ② onto the hang straight ④ to secure the canopy ① into place.



# 7

Insert the light bulbs ①  
into the fixture sockets ②



# 8

Screw the glass ①  
onto the socket covers ②

**CAUTION:** Align threads properly  
for a smooth rotation before  
twisting to avoid jamming.  
**Do not overtighten the glass.**

